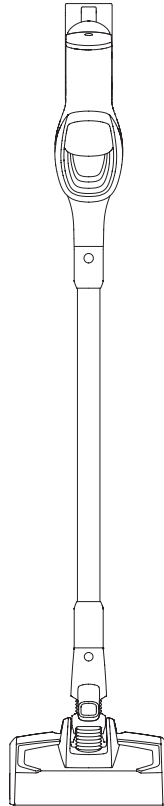


# JIMMY



## JV83 pro

Instruction Manual	Vacuum Cleaner
Instrukcja obsługi	Odkurzacz
Bedienungsanleitung	Staubsauger
Manuel d'instruction	Aspirateur
Manuale D'Uso	Scopa elettrica senza filo
Manual de instrucciones	Aspirador
Руководство по эксплуатации	Пылесос



## Contents

English	2
Polski	14
Deutsch	26
Français	38
Italiano	50
Español	62
русский язык	74

# Safety Notes

This vacuum cleaner is designed for home use. Do not use it for commercial or other purposes.

Please read this instruction manual carefully before use, properly save and store it for future use.

Do not put the vacuum close to fire or other high temperature facility.

Do not use or store the machine under extreme bad conditions, for example, extreme temperature. It is recommended to use it indoors between the temperature of 5 °C to 40 °C. Store the machine in dry place and avoid direct sunlight.

Fully charge the battery before first use or after long storage.

Before using the vacuum, make sure brushroll is assembled, otherwise, it may lead to motor fan blockage, causing motor burn out.

Please do not use the vacuum to pick up detergent, oil, glass slag, needle, cigarette ash, wet dust, water, matches, etc.

Please do not use the vacuum to pick up tiny particles such as cement, gypsum powder, wall powder, or large objects such as paper balls, otherwise it will cause malfunctions such as blockage and motor burnout.

Avoid blockage to air inlet or brushroll, it may cause motor failure.

Do not put your hand or foot into floorhead inlet to avoid body hurt.

Do not pour or splash water or other liquids into the machine to avoid short circuit to burn out the machine.

If the brushroll is not working, please check whether the brushroll is entangled with hair or other long fiber, clean it in time.

When storing the machine for a long time, ensure that the battery is fully charged before storage and charge the machine at least every three months.

Unplug the charger to clean or repair the machine. Hold the charger when plugging or unplugging it, and do not pull the charging cord.

Use a dry cloth to clean the machine. Liquids like gasoline, alcohol, lacquer thinner will cause crack or colour fading and cannot be used.

If the machine is not working after fully charged, it must be checked and repaired in our designated office, please do not dismantle the machine on your own.

Discarded machine contains batteries. They should be recycled safely. Do not discard them randomly.

If there is damage on power cord, to avoid danger, it should be replaced or repaired by manufacturer, repairing agency or professional person.

This appliance can be used by children aged from 8 years and above and persons with reduced physical, sensory or mental capabilities or lack of experience and knowledge if they have been given supervision or instruction concerning use of the appliance in a safe way and understand the hazards involved.

The appliance is only to be used with the power supply unit provided.

Children shall not play with the appliance.

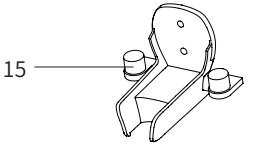
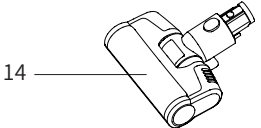
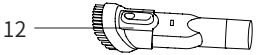
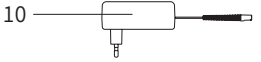
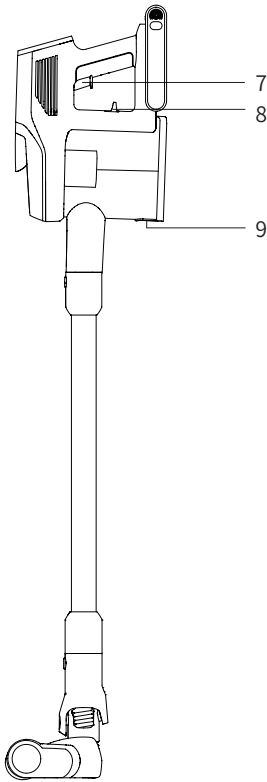
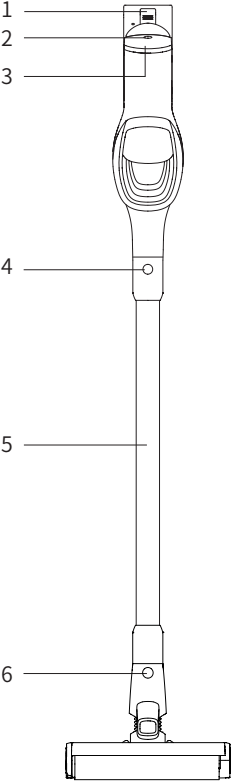
Cleaning and user maintenance shall not be made by children without supervision.

The appliance is only to be used with battery pack T-DC61C-LIS.

If there is leaking on the battery, contact local after service for disposal instructions.



# Parts Name



- 1. Battery pack release button
- 3. LED screen
- 5. Metal tube
- 6. Floor head release button

- 2. Mode button
- 4. Metal tube release button
- 7. On/off button
- 8. Dust cup release button
- 9. Dust cup release latch
- 10. Charger
- 11. Crevice tool
- 12. Upholstery tool
- 14. Electric mattress head

## Packing list

Name	Handheld vacuum	Electric Floorhead	Electric mattress head	Upholstery tool	Crevice tool	metal tube
Amount	1	1	1	1	1	1
Stretch hose	Charger	Charging holder	Accessory holder	Screw	Expansion pipe	User Manual
1	1	1	2	3	2	1

## Product Assembly

### Assemble electric floor head with metal tube

Hold the floor head with left hand, use right hand to insert the metal tube vertically into floor head, align with the conductive needle, press the tube until a "click" sound is heard.

Attention: Keep the handle and floor head in the same direction, conductive needle shall align with the socket.

When packing, storing or cleaning, if the electric floor head needs to be removed, press the brush release button as shown in the picture and pull the electric floor head in the direction shown in the picture.(Fig 1)

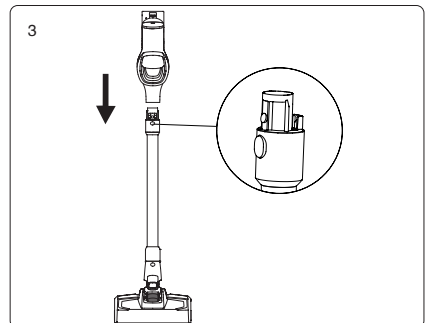
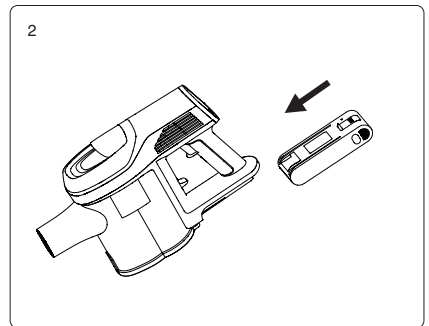
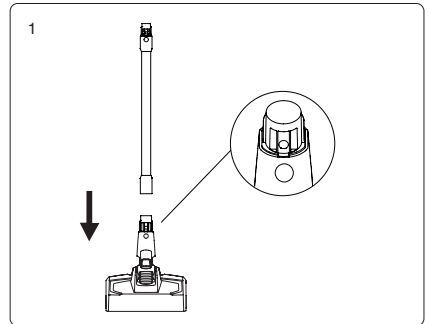
### Assemble the battery pack and handheld vacuum cleaner

Assembly of battery pack: hold the hand-held vacuum cleaner in one hand, hold the battery pack in the other hand, aim at the guiding groove on the body, slide in the battery pack according to the arrow direction shown in the picture. Pull the battery pack after installation to make sure it does not get loose.

Attention: when the vacuum cleaner is long idled, please remove the battery, pack the product and store it in a cool and dry place, avoid direct sunlight or humid environment. (Fig 2)

### Assemble metal tube and handheld vacuum

First, assemble floor head and metal tube according to the method of assembling electric



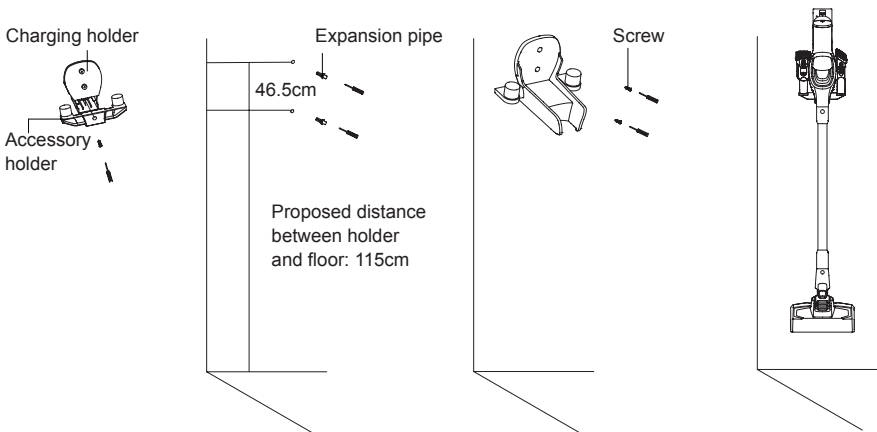
floor head and metal tube.

Assemble the floor head with metal tube assembly and handheld vacuum cleaner: as shown in the picture, align the conductive needle of the metal tube with the coupler of the suction nozzle, push up until a "click" sound is heard.(Fig 3)

### Charging holder assembly

Assemble accessory holders to the charging holder, then fasten accessory holders with screw. Put the vacuum cleaner in the holder, and lean the vacuum cleaner against the wall, place the holder in the position that vacuum cleaner floor head does not touch ground. Take off the handheld vacuum cleaner, place expansion pipe on the wall and place the holder to the expansion pipe position, then lock in the screw. After assembly completed, put the vacuum to charger holder to charge or store.

Attention: Do not fix the holder to bathroom or other humid wall.

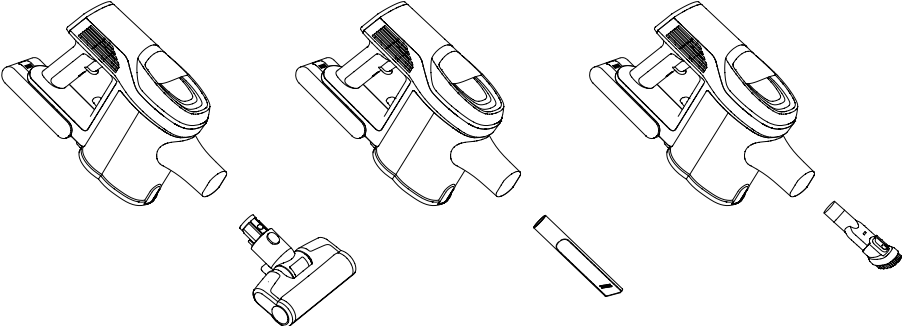


### Assembly of accessories

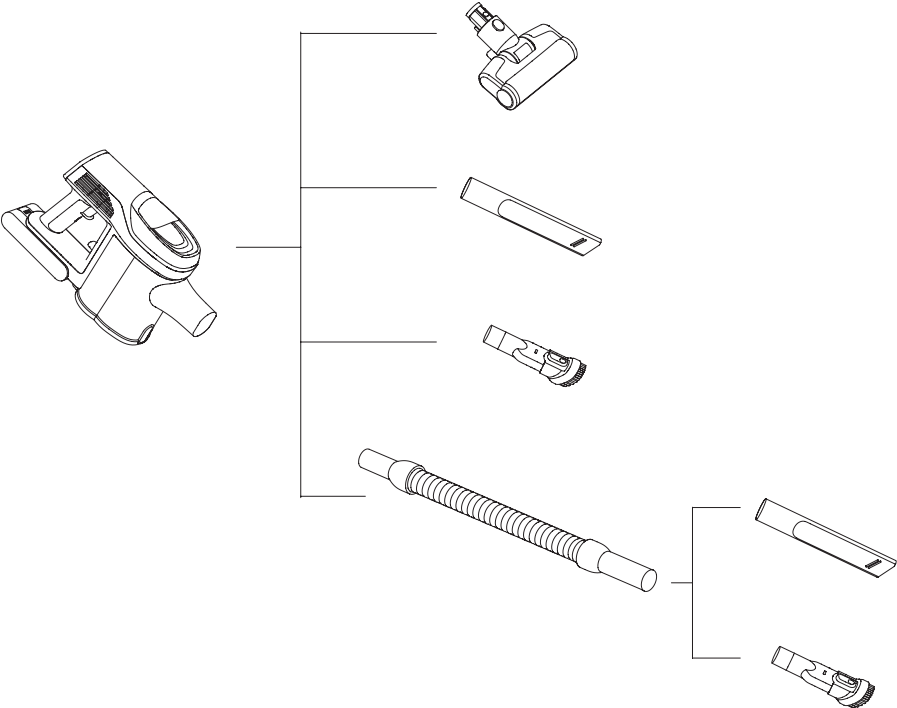
For the convenience of use, this product is specially equipped with some accessories for the hand-held part of the vacuum cleaner. When you use the handheld vacuum cleaner alone, you can directly connect the accessories according to your needs or connect the accessories through the stretch hose.

Name	Model	JV83 Pro
Electric Mattress Head		
Upholstery tool		
Crevice tool		
Stretch hose		

Connect electric mattress head, crevice tool, upholstery tool and dusting brush to handheld vacuum as the picture.



### Accessories Connection List



# Use of Vacuum

## Charging

Attention: When use the product for first time, battery power is not full. Need to charge the vacuum before using.

## Charging of vacuum cleaner

When the vacuum cleaner power is insufficient, charge the vacuum cleaner in time ; When the voltage is too low, to protect the battery, vacuum cleaner will be automatic power-off, at this time the vacuum cleaner need to be charged. When charging, plug the charger connector into the A/C power socket, plug another end of charger into battery to start charging. When the handheld vacuum cleaner LED display shows an increase in power, it indicates that the vacuum cleaner is charging. When charging is completed, LED display show 100% power. (Fig 4)

If battery pack is charged separately without being assembled on machine, during charging, indicator in battery pack is red and turns green after charging is completed.

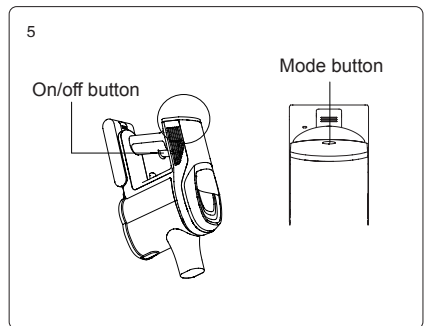
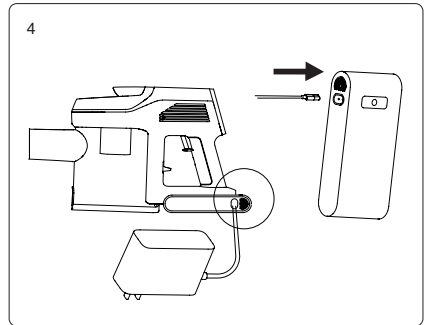
Attention:

1. When battery power is below  $\leq 20\%$ , if product is working in Max mode , it will change to Turbo mode automatically. When battery power runs off, product will turn off automatically.

2. If vacuum cleaner is long idled, charge the battery every three months to avoid battery failure.

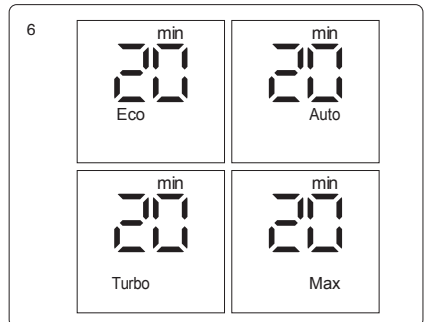
After charging, please pull the charger plug off power socket and stop charging.

Attention: if power cord is damaged, to avoid danger, it must be replaced by professional staff of the manufacturer, repairing agent or similar department.



## Use of handheld vacuum and LED screen contents

Take the vacuum cleaner off the storage holder, press the on/off button to start or stop the vacuum cleaner. Mode button can adjust working mode. When machine is turned on, it works in Auto mode, press the mode button to switch to the sequence of Turbo- Max - Eco mode. During mode switch the mode will be displayed in LED screen. (Fig 5)



Middle of LED screen displays product run time left in current mode. When mode is changed, left run time will also change accordingly.

When product works in Max mode and battery power drops below 20%, to extend product run time, product will automatically switch from Max to Turbo mode. After battery is charged to higher than 20% power, product can work in Max mode. (Fig 6)

When the product is cleaning floor or carpet under Auto mode, it will adjust working power basing on the floor type it detects, in order to achieve higher cleaning efficiency. Under Auto mode, LED screen display Auto regardless how high the working power is.

### Use of electric floor head

Electric floorhead is suitable to clean all types of floor and carpet.

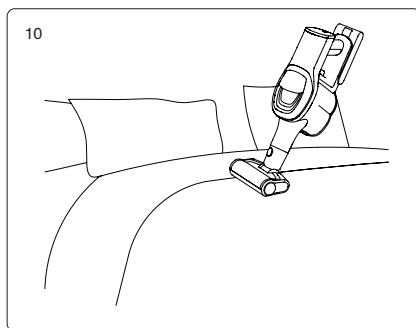
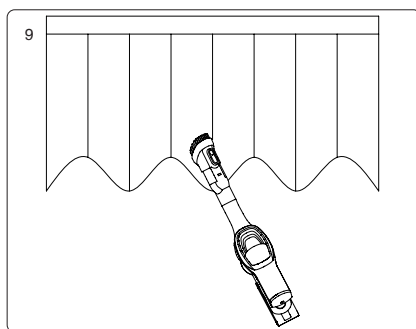
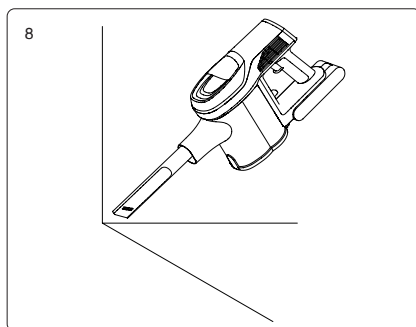
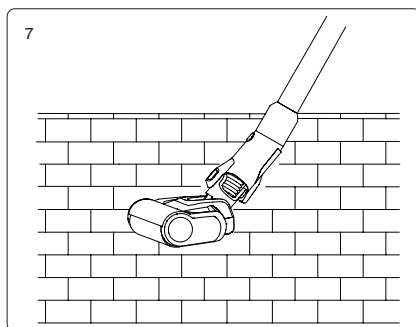
Attention: During the operation of the electric floor head, if there is a large volume of foreign matter inhaled or too much fiber wound, or even a child in the play of the machine mistakenly put his hand into the nozzle, resulting in the brushroll abnormal stop, the electric floor head will stop working, in order to protect personal safety and brush motor. (Fig 7)

### Use of accessories

Crevice tool: suitable for cleaning crevice, door or window corners and other narrow gaps. (Fig 8)

Upholstery tool: suitable for cleaning closet, windowsill, sofa and table surface. (Fig 9)

Electric mattress head: Suitable for sofa and bed mattress. The brushroll beats out and then cleans the dust mite and allergen from deep sofa or bed. (Fig 10)



# Cleaning and Replacing Parts

Attention:

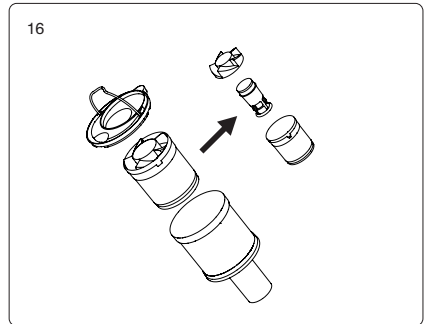
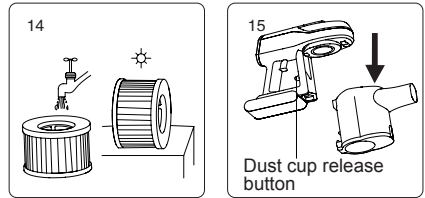
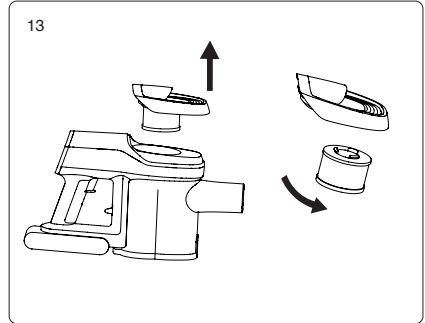
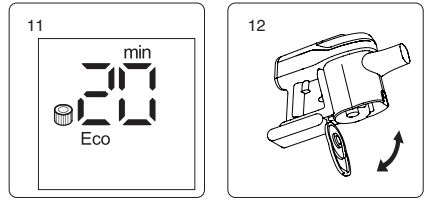
1. HEPA filter is available for sale from local vacuum cleaner distributors.
2. It is recommended to clean the dust cup after each use; When the dust cup is full or the HEPA filter is clogged, it needs to be cleaned and replaced if necessary.
3. Electric floor head brushroll might be entangled with hair after long time use. It needs to be cleaned in time to keep the vacuum working more efficiently.

## Clean dust cup and filtration system

When dust cup is full or HEPA is clogged, LED screen will display HEPA icon as the picture to remind to clean dust cup and filter. Please clean dust cup and HEPA filter in time. Replace HEPA filter if necessary.(Fig 11)

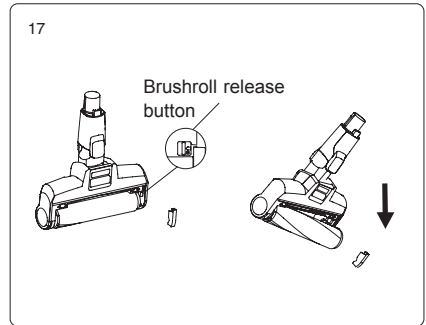
### Steps of cleaning dust cup and filtration system:

1. Press dust cup bottom cover release button, open dust cup bottom cover, dump dust into trash can.(Fig 12)
2. Lift up HEPA lid assembly from dust cup. Rotate HEPA filter clockwise and remove it from HEPA lid for washing. After washing, HEPA need to be completely dry before using it again. (Fig 13)(Fig 14)
3. Push dust cup release button located behind the dust cup and remove dust cup. Hold cyclone assembly handle and pull it out of dust cup. Disassemble cyclone top, secondary dust cup, adjustment ring and inner cyclone in sequence for cleaning. After washing, all parts need to be completely dry before using again. After cleaning, assemble the parts back in the opposite sequence of disassembly.(Fig 15)(Fig16)



## Clean brushroll

1. Move the brushroll release button along the arrow direction remove side cover.
2. Remove one end of the brushroll and take it out from nozzle for cleaning.
3. After cleaning or replacing brushroll, assemble it back in opposite sequence of disassembly. (Fig 17)

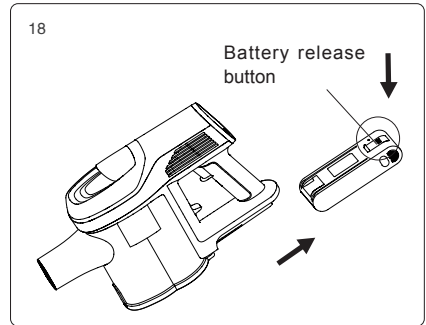


## Storage of Vacuum Cleaner

When the vacuum is long idled, remove the battery, pack the product and store it in a cool and dry place, do not put in direct sunlight or humid environment.

### Battery pack disassembly

Press the battery release button, remove the battery pack in the arrow direction and place the battery in a plastic bag, then store it in a dry place. (Fig 18)



## Trouble Shooting

Please check the following issues before sending to designated repair agent.

Trouble	Possible Causes	Solutions
Motor does not work	Battery has no power	Charge the vacuum cleaner
	Metal tube, floorhead, battery pack and vacuum cleaner is not assembled correctly	Check the accessories are assembled correctly to the vacuum cleaner
Suction drops	Dust cup is full	Clean dust cup
	Filter blocked	Clean or replace filter
	Floorhead air path blocked	Clean floorhead air path
Short run time after charging	Battery not fully charged	Follow instruction manual to fully charge the battery
	Battery old aging	New batteries can be bought from local distributor

When there is electric components defect, which needs professional after service person for instruction or repairing, LED screen will display the defect warning with error code of F1 to F8. Please contact after service of local agent and provide error code.



Defect of F1 to F8 is as following:

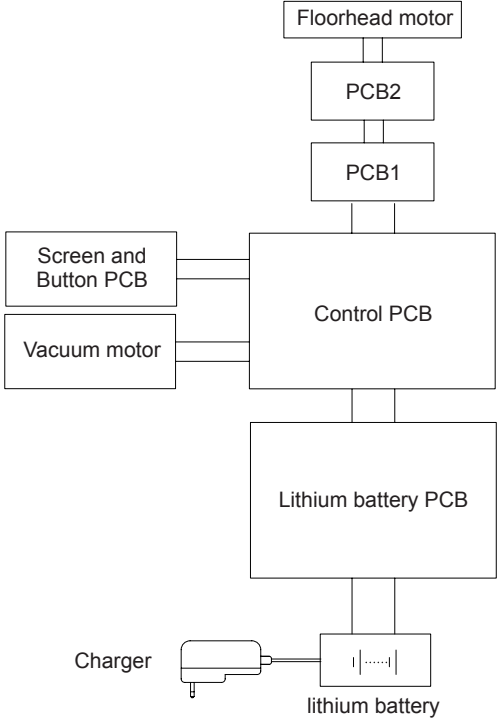
Code	Defect	Solutions
F1	Battery pack nickel strip broken	Replace or repair battery pack
F2	Charger defect	Replace charger
F3	Vacuum motor short circuit	Replace vacuum motor
F4	Battery cell defect	Replace or repair battery pack
F5	Vacuum motor 1st over current protection	Replace vacuum motor
F6	Vacuum motor 2nd over current protection	Replace vacuum motor
F7	PCB defect or PCB leadwire loose	Replace PCB or PCB leadwire
F8	Battery pack NTC abnormal	Turn off the vacuum and wait until battery pack cooled down. Turn on again If error code still appears, replace battery pack

Attention: if there are other faults needs special tools, in order to avoid danger, must be repaired by professional people of manufacturer, repairing agent or similar agent.

## Technical Parameter

Model No	JV83 Pro
Rated Voltage	25.2V---
Rated Power	500W
Charger input voltage	100-240V~ 50/60Hz 0.8A
Charger output voltage	30V--- 600mA
Electric floor head model No	T-EB110KC
Electric floor head rated power	30W
Battery pack capacity	2500mAh
Charging time	4h-5h

# Circuit Diagram



## Manufacturer Information

Manufacturer	Kingclean Electric Co., Ltd
Address	No.1 Xiangyang Road, Suzhou New District, Jiangsu Province 215009, China



## Disposal

The machine, accessories and packaging should be sorted for environmental-friendly recycling.



Do not dispose of the machine into household waste!

Only for EC countries: According to the European Guideline 2012/19/EU, machine that are no longer usable, and according to the European Guideline 2006/66/EC, defective or used battery packs/batteries, must be collected separately and disposed of in an environmentally correct manner.

### Battery packs/batteries:

Integrated batteries may only be removed for disposal by qualified personnel.

Opening the housing shell can damage or destroy the machine.

Do not dispose of battery packs/batteries into household waste, fire or water. Battery packs/batteries should, if possible, be discharged, collected, recycled or disposed of in an environmental-friendly manner.

Subject to change without notice.s

### Warranty Information

This product enjoys two year warranty from the date of purchase.

Excluded from the guarantee is normal wear, commercial use, alterations to the appliance as purchased, cleaning activities, consequences of improper use or damage by the purchaser or a third person, damage that can be attributed to external circumstances.

# Środki bezpieczeństwa

Ten odkurzacz jest przeznaczony wyłącznie do użytku domowego. Nie należy używać go do celów komercyjnych.

Przed użyciem należy dokładnie przeczytać niniejszą instrukcję obsługi i prze chowywać w celu wykorzystania w przyszłości

Nie należy umieszczać odkurzacza w pobliżu ognia lub innego obiektu o wysokiej temperaturze.

Nie należy używać ani przechowywać urządzenia w niebezpiecznych warunkach, na przykład w wysokiej temperaturze. Zaleca się korzystanie z urządzenia w pomieszczeniach zamkniętych w temperaturze od 5°C do 40°C. Urządzenie należy przechowywać w suchym miejscu i unikać bezpośredniego działania promieni słonecznych.

Przed pierwszym użytkowaniem lub po długim przechowywaniu należy naładować akumulator do pełna.

Przed użyciem odkurzacza należy upewnić się, że szczotka jest prawidłowo zmontowana. W przeciwnym razie może dojść do zablokowania wentylatora silnika, co doprowadzi do jego spalania.

Nie należy używać odkurzacza do zbierania detergentów, oleju, szklanych elementów, igliwia, popiołu papierosowego, mokrego pyłu, wody, zapalek itp.

Nie należy używać odkurzacza do zbierania drobnych cząstek, takich jak cement, proszek gipsowy, proszek ścienny, ani dużych przedmiotów, takich jak kulki papieru, ponieważ może to spowodować nieprawidłowe działanie, takie jak zablokowanie i spalanie silnika.

Należy uważać, aby nie blokować wlotu powietrza szczotki, ponieważ może to spowodować awarię silnika.

Nie należy wkładać ręki ani stopy do wlotu powietrza szczotki, aby uniknąć obrażeń ciała.

Nie należy wlewać wody lub innych płynów do wnętrza urządzenia, aby uniknąć zwarcia i spalania urządzenia.

Jeśli szczotka nie działa, sprawdź, czy w wałek nie zaplątały się włosy lub inne długie włókna i wyczyść ją.

W przypadku dłuższego przechowywania urządzenia należy upewnić się, że akumulator jest w pełni naładowany oraz ładować urządzenie co najmniej raz na trzy miesiące.

Odcłącz ładowarkę, aby wyczyścić lub naprawić urządzenie. Podczas podłączenia lub odłączania ładowarki należy trzymać ją w ręku i nie ciągnąć za przewód.

Do czyszczenia urządzenia należy używać suchej szmatki. Do czyszczenia nie wolno wykorzystywać substancji takich jak benzyna, alkohol czy rozcieńczalnik do lakieru, ponieważ spowodują pęknięcia lub wyblaknięcie koloru.

Jeśli urządzenie nie uruchamia się po pełnym naładowaniu, należy je sprawdzić i naprawić w autoryzowanym serwisie. Nie należy demontować urządzenia na własną rękę.

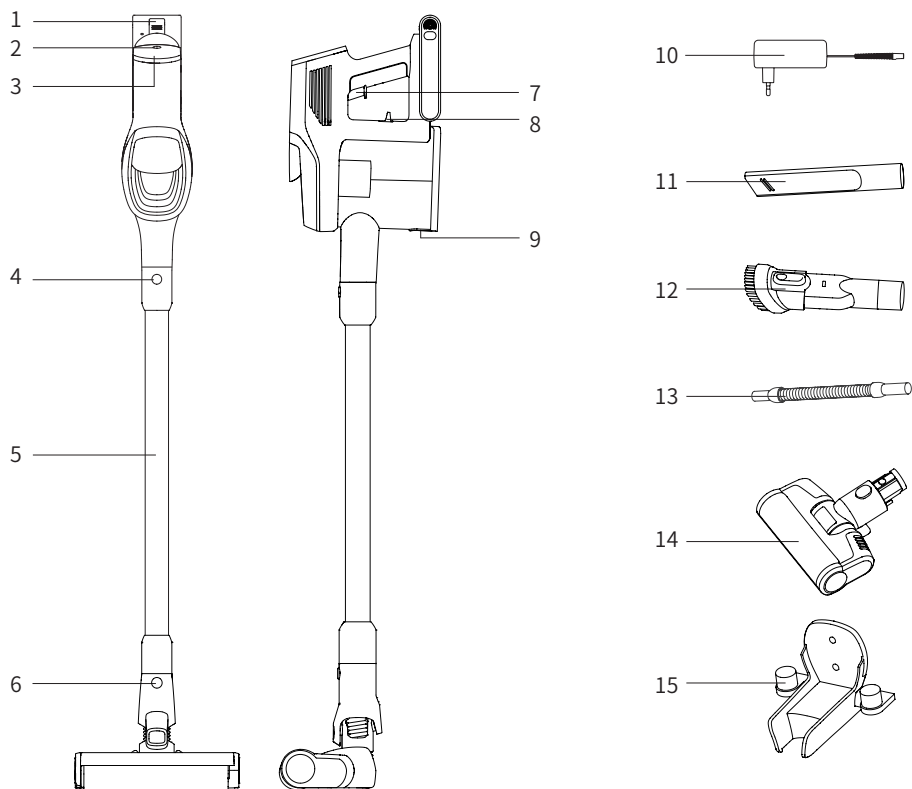
Urządzenie posiada akumulator. Należy je bezpiecznie poddać recyklingowi. Nie należy ich wyrzucać razem z odpadami domowymi.

W przypadku uszkodzenia przewodu zasilającego, aby uniknąć niebezpieczeństwa, powinien on zostać wymieniony lub naprawiony przez producenta, lub autoryzowany serwis.

Urządzenie może być dopuszczone do użytku przez dzieci w wieku od 8 lat wzwyż oraz osoby o ograniczonych zdolnościach fizycznych, sensorycznych lub umysłowych, a także osoby nieposiadające doświadczenia i wiedzy, jeżeli otrzy małły one nadzór lub instrukcję dotyczącą bezpiecznego korzystania z urządzenia i rozumieją związane z tym zagrożenia.

Urządzenie może być ładowane wyłącznie poprzez zasilacz, który znajduje się w zestawie.

## Części odkurzacza



1.Przycisk zwalniający akumulator

3.Ekran LED

5.Metalowa rura

7.Przycisk włączania/wyłączania

9.Zatrzask zwalniający pojemnik na brud

11.Ssawka szczelinowa

13.Wąż rozciągliwy

15.Uchwyt do ładowania

2.Przycisk trybu

4.Przycisk zwalniający metalową rurę

6.Przycisk zwalniający głowicę do podłóg

8.Przycisk zwalniający kubek pyłowy

10.Ładowarka

12.Ssawka do tapicerki

14.Elektryczna głowica do materacy

## Packing list

Nazwa	Odkurzacz przenośny	Elektryczna głowica do podłóg	Elektryczna głowica do materacy	Ssawka do tapicerki	Ssawka szczelinowa	Metalowa rura
Ilość	1	1	1	1	1	1
Waż rozciągliwy	Ładowarka	Uchwyt do ładowania	Uchwyt akcesoriów	Śruby	Rura rozprężna	Instrukcja obsługi
1	1	1	2	3	2	1

## Montaż produktu

### Zmontuj elektryczną głowicę podłogową z metalową rurą

Przytrzymaj lewą ręką głowicę podłogową, prawą ręką włóż pionowo metalową rurę do głowicy podłogowej, wyrównaj z igłą przewodzącą, wciśnij rurę aż do usłyszenia dźwięku "kliknięcia".

Uwaga: trzymaj uchwyt i głowicę podłogową w tym samym kierunku, igła przewodząca powinna być w jednej linii z gniazdem.

Podczas pakowania, przechowywania lub czyszczenia, jeśli konieczne jest wyjęcie elektrycznej głowicy podłogowej, należy nacisnąć przycisk zwalnający szczotkę, jak pokazano na rysunku, i pociągnąć elektryczną głowicę podłogową w kierunku pokazanym na rysunku. (Rys. 1)

### Montaż akumulatora z odkurzaczem

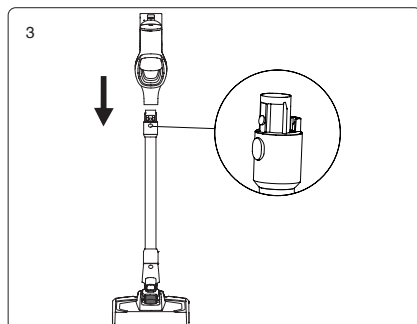
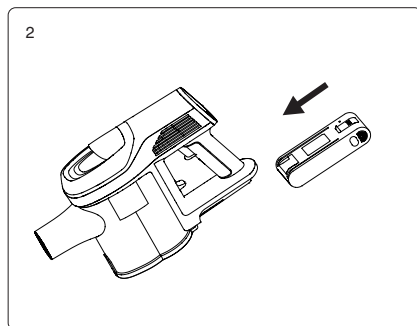
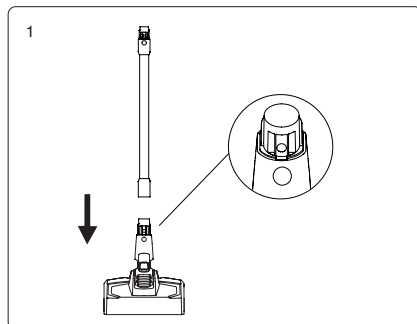
Montaż akumulatora: jedną ręką trzymaj odkurzacz, drugą trzymaj akumulator, wyceluj w rowek prowadzący na korpusie, wsuń akumulator zgodnie z kierunkiem strzałki pokazanym na rysunku. Wyciągnij akumulator po instalacji, aby upewnić się, że się nie poluzuje.

Uwaga: gdy odkurzacz długo pracuje na biegu jałowym, należy wyjąć akumulator, zapakować produkt i przechowywać go w chłodnym i suchym miejscu, unikając bezpośredniego nasłonecznienia i wilgotnego otoczenia.

(Rys. 2)

### Zmontuj metalową rurę i odkurzacz ręczny

Najpierw należy zmontować głowicę podłogową



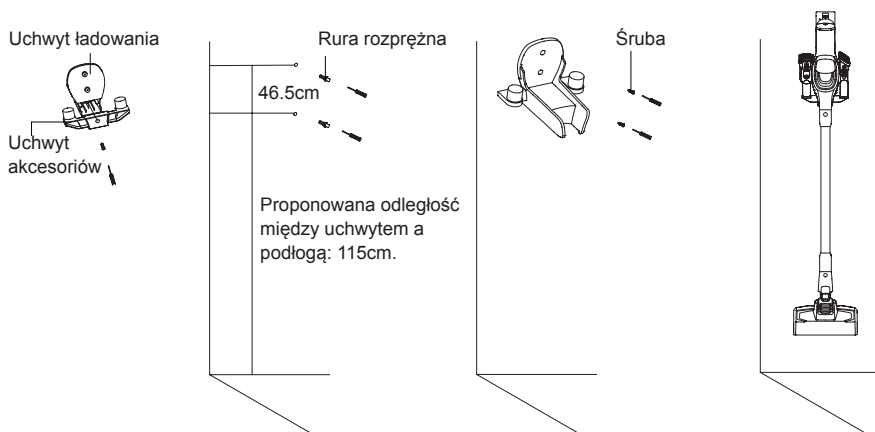
i metalową rurę zgodnie z metodą montażu elektrycznej głowicy podłogowej i metalowej rury.

Zmontuj głowicę podłogową z metalową rurą i odkurzaczem ręcznym: jak pokazano na rysunku, ustaw igłę przewodzącą metalowej rury w jednej linii z łącznikiem dyszy ssącej, wciśnij do góry, aż usłyszysz dźwięk "kliknięcia". (Rys. 3)

## Zespół uchwytu do ładowania

Zmontować uchwyty akcesoriów do otworu ładowania, a następnie zamocować uchwyty akcesoriów za pomocą śruby. Umieść odkurzacz w uchwycie i oprzyj go o ścianę, ustaw uchwyt w takiej pozycji, aby głowica odkurzacza nie dotykała podłoża. Zdejmij odkurzacz ręczny, umieść rurę rozprężną na ścianie i ustaw uchwyt w pozycji rury rozprężnej, a następnie zablokuj śrubę. Po zakończeniu montażu włóż odkurzacz do uchwytu ładowarki, aby go naładować lub przechować.

Uwaga: nie należy mocować uchwytu do ściany w łazience lub innej wilgotnej ścianie.

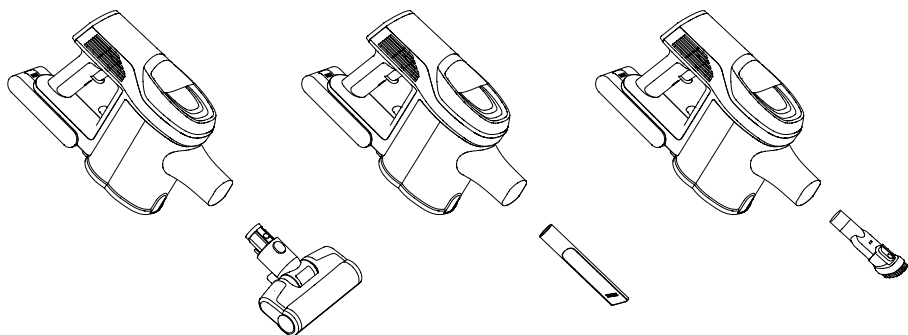


## Montaż akcesoriów

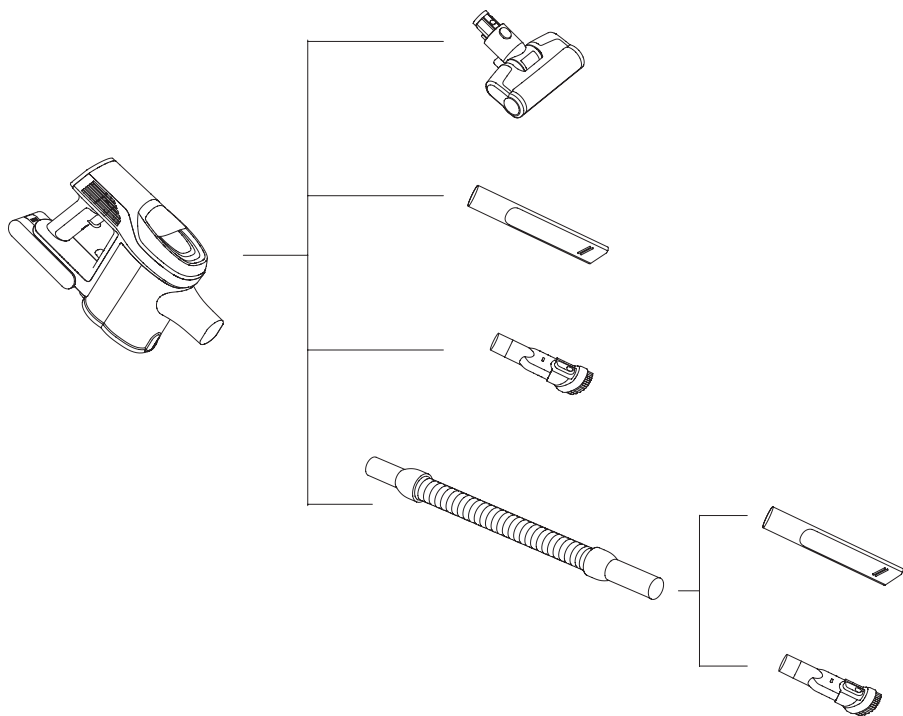
Dla wygody użytkownika ten produkt jest specjalnie wyposażony w akcesoria do ręcznej części odkurzacza. Gdy używasz samego odkurzacza ręcznego, możesz bezpośrednio podłączyć akcesoria zgodnie z własnymi potrzebami lub podłączyć akcesoria za pomocą elastycznego węża.

Nazwa	modelu	JV83 Pro
Elektryczna głowica do materacy		
Ssawka do tapicerki		
Ssawka szczelinowa		
Wąż rozciągliwy		

Podłącz elektryczną głowicę materaca, narzędzie szczelinowe i narzędzie tapicerskie do ręcznej odkurzaczy jako na zdjęciu.



### Lista połączeń akcesoriów





# Zastosowanie odkurzacza

## Ładowanie

Uwaga: Przed pierwszym użyciem należy naładować odkurzacza.

## Ładowanie odkurzacza

Gdy moc jest zbyt niska, aby chronić akumulator, odkurzacza zostanie automatycznie wyłączony. W tym czasie należy go naładować. Podczas ładowania podłącz wtyczkę ładowarki do gniazda prądu przemiennego, podłącz drugi koniec ładowarki do akumulatora, aby rozpocząć ładowanie. Gdy na wyświetlaczu LED odkurzacza ręcznego pojawi się zwiększona moc, oznacza to, że odkurzacza jest w trakcie ładowania. Po zakończeniu ładowania na wyświetlaczu LED pojawi się 100% mocy.(Rys. 4)

Jeżeli akumulator jest ładowany oddzielnie bez montażu na maszynie, podczas ładowania wskaźnik w akumulatorze świeci na czerwono i po zakończeniu ładowania zmienia kolor na zielony.

Uwaga:

1. Gdy poziom naładowania akumulatora spadnie poniżej  $\leq 20\%$ , jeśli produkt pracuje w Max trybie, zostanie on automatycznie przełączony na inny tryb. Gdy poziom naładowania akumulatora spadnie, urządzenie wyłączy się automatycznie.

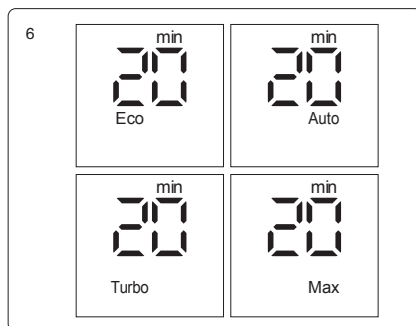
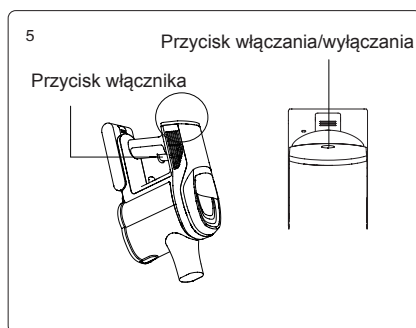
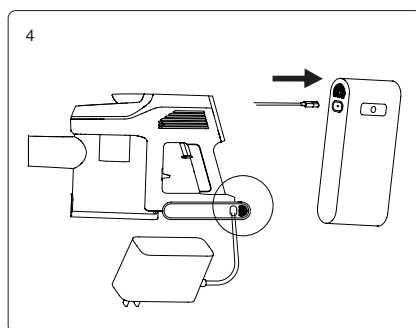
2. Jeśli odkurzacza długo pracuje na biegu jałowym, należy ładować akumulator co trzy miesiące, aby uniknąć awarii akumulatora.

Po naładowaniu należy wyjąć wtyczkę ładowarki z gniazdka i zakończyć ładowanie.

Uwaga: jeśli przewód zasilający jest uszkodzony, aby uniknąć niebezpieczeństwa, musi zostać wymieniony przez profesjonalny personel producenta, przedstawiciela handlowego lub podobny dział.

## Korzystanie z odkurzacza ręcznego i zawartość ekranu LED

Zdejmij odkurzacza z uchwytu, naciśnij przycisk włączania/wyłączania, aby uruchomić lub zatrzymać odkurzacza. Przycisk trybu pracy umożliwi regulację trybu pracy. Kiedy urządzenie jest włączone, pracuje w Auto trybie, naciśnij przycisk trybu, aby przełączyć się na inny tryb pracy. Podczas przełączania trybów pracy na ekranie LED wyświetlany jest tryb pracy.(Rys. 5)



W środkowej części ekranu LED wyświetlany jest czas pracy produktu w bieżącym trybie. Po zmianie trybu pracy pozostały czas pracy również ulegnie zmianie.

Gdy produkt pracuje w Max trybie, a poziom naładowania akumulatora spadnie poniżej 20%, aby wydłużyć czas pracy produktu, urządzenie automatycznie przełączy się z tego trybu. Po naładowaniu akumulatora do poziomu powyżej 20% produkt może pracować w tym trybie. (Rys. 6)

Gdy produkt pracuje w Auto trybie, dostosowuje moc roboczą w zależności od rodzaju podłogi, którą wykryje, aby osiągnąć wyższą skuteczność czyszczenia. W tym trybie na ekranie LED wyświetlana jest informacja o tym, jak wysoka jest moc robocza.

## Użycie elektrycznej głowicy do podłóg

Elektryczna głowica podłogowa nadaje się do czyszczenia wszystkich rodzajów podłóg, takich jak podłogi twarde, płytki, dywany itp.

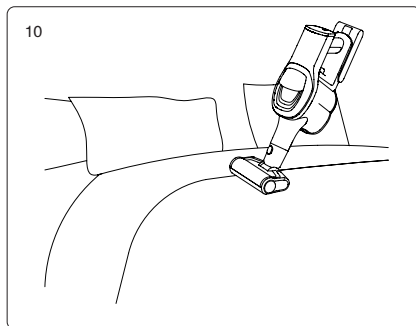
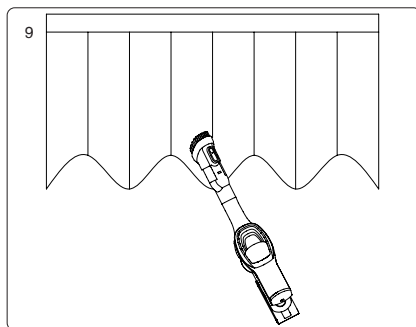
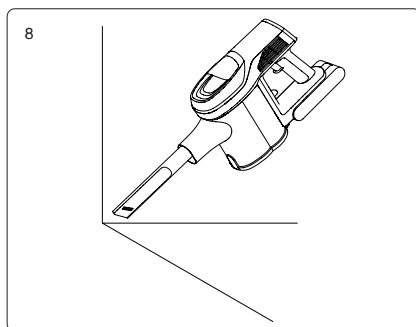
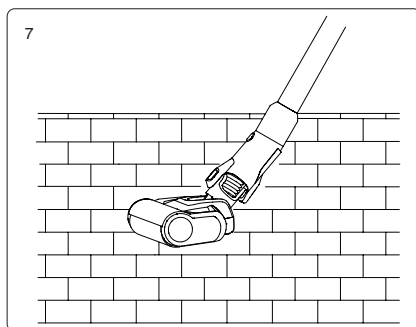
Uwaga: Podczas pracy elektrycznej głowicy podłogowej, jeśli jest zbyt duża ilość wciąganych ciał obcych, zbyt dużo nawiniętych włókien lub nawet gdy dziecko omyłkowo włoży rękę dodyszy, co spowoduje nieprawidłowe zatrzymanie rolki szczotki, elektryczna głowica podłogowa przestanie działać, w celu ochrony bezpieczeństwa osobistego i silnika szczotki. (Rys. 7)

## Stosowanie akcesoriów

Ssawka szczelinowa: odpowiednie do czyszczenia szczelin, narożników drzwi lub okien oraz innych wąskich szczelin. (Rys. 8)

Ssawka tapicerska: odpowiednie do czyszczenia szafy, parapetu, kanapy i powierzchni stołu. (Rys. 9)

Elektryczna głowica do materacy: Odpowiednia do sof i materacy łóżkowych. Walec szczotki wyłapuje, a następnie czyści roztocza i alergeny z głębszej sofy lub łóżka. (Rys.10)



## Czyszczenie i wymiana części

Uwaga:

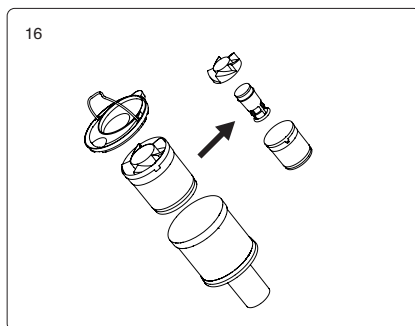
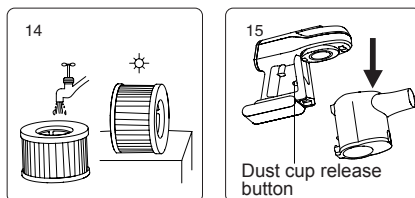
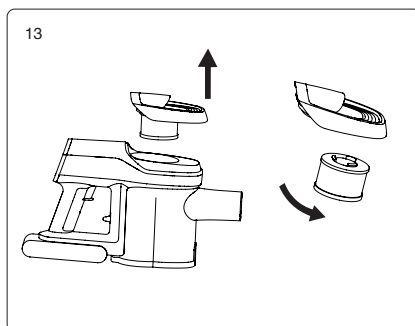
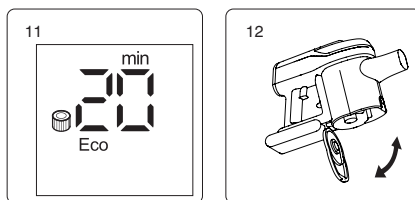
1. Filtr HEPA jest dostępny w sprzedaży u lokalnych dystrybutorów odkurzaczy.
2. Zaleca się czyszczenie pojemnika na kurz po każdym użyciu; gdy pojemnik na kurz jest pełny lub filtr HEPA jest zatkany, należy go wyczyścić i w razie potrzeby wymienić.
3. Po dłuższym używaniu elektrycznego walca szczotki głowicy podłogowej mogą się w nim zaplątać włosy. Należy go w porę wyczyścić, aby odkurzacz pracował wydajniej.

### Czyszczenie pojemnika na kurz i systemu filtracji

Gdy zbiornik na kurz jest pełny lub filtr HEPA jest zatkany, na ekranie LED pojawi się ikona HEPA, aby przypomnieć o konieczności wyczyszczenia zbiornika na kurz i filtra. Należy w porę wyczyścić pojemnik na kurz i filtr HEPA. W razie potrzeby wymienić filtr HEPA. (Rys. 11)

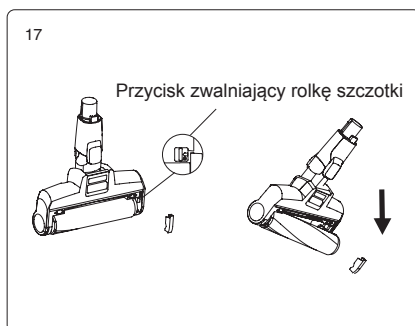
### Kroki czyszczenia kubka pyłowego i systemu filtracji:

1. Naciśnij przycisk zwolnienia dolnej pokrywy kubka pyłowego, otwórz dolną pokrywę kubka pyłowego, wyrzuc kurz do kosza na śmieci. (Rys. 12)
2. Podnieś zespół pokrywy HEPA z kubka na pył. Obróć filtr HEPA zgodnie z ruchem wskazówek zegara i usunąć go z pokrywy HEPA do mycia. Po praniu HEPA musi być całkowicie suchy przed ponownym użyciem. (Rys. 13)(Rys. 14)
3. Naciśnij przycisk zwalniania kubka do pyłu znajdujący się za kubkiem do pyłu i usuń kubek do pyłu. Trzymaj uchwyt montażowy cyklonu i wyciągnij go z kubka na pył. Zdemonstrować górę cyklonu, wtórny kubek pyłowy, pierścieni regulacyjny i wewnętrzny cyklon w kolejności do czyszczenia. Po umyciu wszystkie części muszą być całkowicie suche przed ponownym użyciem. Po czyszczeniu złożyć części z powrotem w przeciwnej kolejności demontażu. (Rys. 15)(Rys. 16)



## Wyczyść wałek szczotki

1. Przesuń przycisk zwalniający wałek szczotki zgodnie z kierunkiem strzałki i zdejmij pokrywę boczną.
2. Zdejmij jeden koniec wałka szczotki i wyjmij go z dyszy w celu wyczyszczenia.
3. Po wyczyszczeniu lub wymianie wałka szczotki zamontuj go z powrotem, zachowując kolejność odwrotną do demontażu. (Rys. 17)

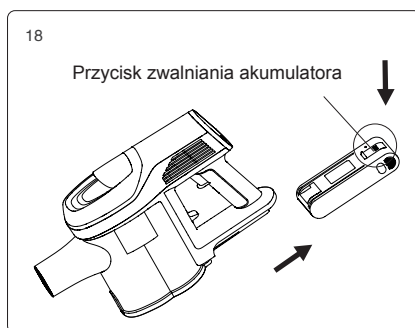


## Przechowywanie odkurzacza

Gdy odkurzacz jest długo nieużywany, wyjmij akumulator, zapakuj produkt i przechowuj go w chłodnym i suchym miejscu, nie wystawiaj na bezpośrednie działanie promieni słonecznych ani nie przechowuj w wilgotnym otoczeniu.

## Demontaż akumulatora

Naciśnij przycisk zwalniania akumulatora, wyjmij akumulator zgodnie z kierunkiem strzałki i umieść go w plastikowej torbie, a następnie przechowuj w suchym miejscu. (Rys. 18)



## Rozwiązywanie problemów

Przed wysłaniem odkurzacza do wyznaczonego punktu serwisowego należy sprawdzić następujące problemy.

Problem	Możliwa przyczyna	Rozwiązania
Silnik nie pracuje	Rozładowany akumulator	Naładuj odkurzacz
	Metalowa rura, głowica do podłóg, akumulator i odkurzacz nie są zamontowane prawidłowo	Sprawdź czy akcesoria są Prawdłowo zamontowane
Siła ssania spada	Pełen pojemnik na brud	Wyczyść pojemnik na brud
	Zablokowany filtr	Wyczyść lub wymień filtr
	Floorhead air path blocked Zablokowany wlot powietrza w głowicy do podłóg	Wyczyść wlot powietrza głowicy do podłóg
Krótki czas pracy po naładowaniu	Odkurzacz nie został w pełni naładowany	Naładuj odkurzacz w pełni
	Zużyty akumulator	Nowy akumulator można zakupić u lokalnego dystrybutora

W przypadku uszkodzenia elementów elektrycznych, które wymagają fachowej obsługi lub naprawy, na ekranie LED zostanie wyświetlone ostrzeżenie o usterce z kodem błędu od F1 do F8. Należy skontaktować się z lokalnym serwisem i podać kod błędu.

Usterki od F1 do F8 są następujące:

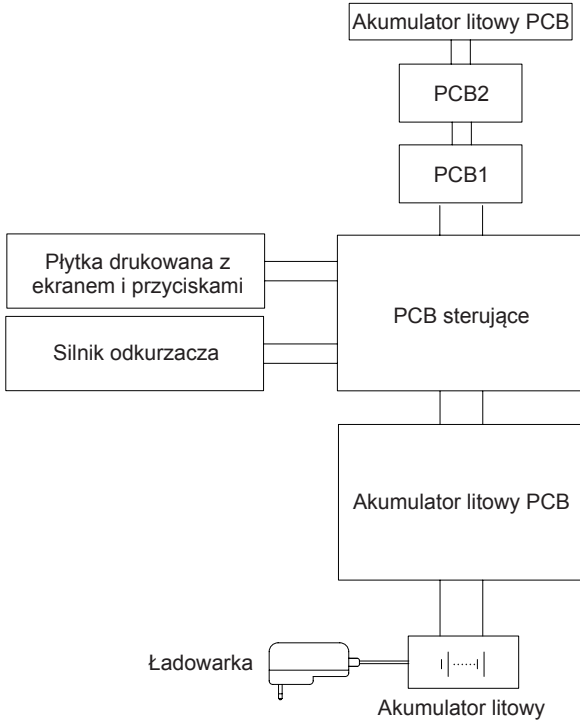
Kod	Usterka	Usterka
F1	Uszkodzony pasek niklowy akumulatora	Wymień lub napraw akumulator
F2	Usterka ładowarki	Wymień ładowarkę
F3	Zwarcie silnika próżniowego	Replace vacuum motor
F4	Uszkodzenie ogniwa akumulatora	Wymień lub napraw akumulator
F5	Pierwsze zabezpieczenie nadprądowe silnika odkurzacza	Wymień silnik odkurzacza
F6	Drugie zabezpieczenie nadprądowe silnika odkurzacza	Wymień silnik odkurzacza
F7	Uszkodzenie płytki drukowanej lub poluzowany przewód zasilający	Wymień płytkę drukowaną lub przewód zasilający płytki
F8	Nieprawidłowy współczynnik NTC akumulatora	Wyłącz odkurzacz i poczekaj, aż akumulator ostygnie. Włącz ponownie. Jeśli kod błędu nadal się pojawia, wymień akumulator

Uwaga: w przypadku innych usterek potrzebne są specjalne narzędzia, aby uniknąć niebezpieczeństwa. Naprawy muszą być wykonywane przez fachowców z firmy produkującej, naprawiającej lub podobnej.

## Parametry techniczne

Mode	JV83 Pro
Rated Voltage	25.2V===
Moc znamionowa	500W
Napięcie wejściowe ładowarki	100-240V~ 50/60Hz 0.8A
Napięcie wyjściowe ładowarki	30V=== 600mA
Model głowicy do podłóg	T-EB110KC
Moc znamionowa elektrycznej głowicy do podłóg	30W
Pojemność akumulatora	2500mAh
Czas ładowania	4h-5h

# Schemat obwodu



## Informacje o producencie

Producent	Kingclean Electric Co., Ltd
Adres	No.1 Xiangyang road, Suzhou New District, Jiangsu province, 215009, China



## Disposal

Urządzenie, akcesoria i opakowanie powinny być poddane segregacji w celu przyjaznego dla środowiska recyklingu



Nie wolno wyrzucać urządzenia razem z odpadami domowymi

Wyłącznie dla krajów Unii Europejskiej: Zgodnie z dyrektywą 2012/19/UE urządzenie, które nie nadaje się już do użytku, oraz zgodnie z dyrektywą 2006/66/WE uszkodzone lub zużyte zestawy baterii/akumulatorów należy poddać segregacji i utylizacji w sposób przyjazny dla środowiska.

## Informacje dotyczące akumulatora

Akumulatory mogą być odłączane w celu utylizacji wyłącznie przez wykwalifikowany serwis.

Demontaż obudowy może spowodować uszkodzenie lub zniszczenie urządzenia.

Nie wolno wyrzucać akumulatorów/baterii do odpadów domowych, ognia lub wody. Pakiety baterii/akumulatorów należy w miarę możliwości rozładowywać, poddawać recyklingowi lub utylizować w sposób przyjazny dla środowiska.

Zastrzeżę się możliwość wprowadzania zmian bez wcześniejszego powiadomienia.

## Informacje gwarancyjne

Produkt objęty jest dwuletnią gwarancją od daty zakupu.

Gwarancja nie obejmuje normalnego zużycia, użytkowania komercyjnego, zmian w zakupionym urządzeniu, czynności związanych z czyszczeniem, skutków niewłaściwego użytkowania lub uszkodzenia przez nabywcę lub osobę trzecią, uszkodzeń, które można przypisać okolicznościom zewnętrznym.

# Hinweise

Der Staubsauger ist nur für den Haushalt Gebrauch, nicht für kommerzielle oder industrielle Zwecke.

Lesen Sie bitte diese Gebrauchsanleitung vor der Verwendung dieses Gerätes sorgfältig durch und bewahren gut auf, um nachzulesen.

Halten Sie den Staubsauger fern von dem Feuer oder dem Ort mit hoher Temperatur.

Verwenden und bewahren Sie das Gerät nicht unter extrem widrigen Bedingungen auf, z. B. extreme Temperatur. Verwenden Sie das Gerät nicht in Umgebungen, in denen die Temperatur unter 5 Grad oder über 40 Grad liegt. Lagern Sie das Gerät an einem kühlen und trockenen Ort und vermeiden Sie längere Sonneneinstrahlung.

Laden Sie den Akku bitte voll auf, bevor Sie einen neuen Akku verwenden oder den Akku nach längerer Lagerung zum ersten Mal verwenden.

Achten Sie vor der Verwendung des Staubsaugers darauf, die Walzenbürste der Bodenbürste einwandfrei zu montieren. Sonst kann es zum Abwürgen des Motors und zur Beschädigung des Motors führen kann.

Verwenden Sie bitte den Staubsauger so nicht, Reinigungsmitteln, Kerosin, Glasschlacke, Nadeln, Zigarette-Aschen, feuchtem Staub, Abwässern, Streichhölzern usw. aufzusaugen.

Verwenden Sie bitte den Staubsauger so nicht, die winzigen Partikeln wie Zement, Gipsmehl, Mauermehl oder großen Gegenständen wie Spielzeuge, Papierkugeln aufzusaugen. Sonst wird der Staubsauger blockiert und der Motor wird beschädigt.

Achten Sie bitte bei der Verwendung des Staubsaugers darauf, die Saugdüse und die Walzenbürste nicht zu blockieren. Es kann zu einem Motorausfall führen.

Bei der Verwendung des Staubsaugers dürfen die Gliedmaßen nicht in der Saugdüse der Bodenbürste gesteckt werden, weil es sonst leicht zu Verletzungen verursachen kann.

Gießen oder spritzen Sie bitte kein Wasser oder andere Flüssigkeiten auf oder in die Maschine, um einen Kurzschluss und ein Durchbrennen der Maschine zu vermeiden.

Wenn die Walzenbürste während des Gebrauchs nicht dreht, überprüfen Sie bitte sofort, ob sich Haare oder andere lange Fasern in der Walzenbürste verfangen haben, und reinigen rechtzeitig.

Stellen Sie bitte sicher beim längeren Nichtgebrauch, dass der Akku vollständig aufgeladen ist und mindestens einmal alle drei Monate geladen und entladen wird.

Wenn Ihr Staubsauger vollständig aufgeladen ist und gereinigt oder repariert werden muss, trennen Sie das Ladegerät bitte rechtzeitig vom Stromnetz. Dabei muss der Stecker des Ladegeräts beim Ein- und Ausstecken festgehalten und ziehen Sie nicht am Ladestromkabel.

Verwenden Sie zur Reinigung des Staubsaugers bitte ein trockenes Tuch. Verwenden kein Benzin, Alkohol, Amylacetat usw.. Sonst wird das Gehäuse abspalten oder sich verfärben.

Wenn die gesamte Maschine vollständig aufgeladen ist aber nicht funktionieren kann, müssen Sie an die dafür vorgesehene Wartungsstelle prüfen und reparieren. Zerlegen Sie die Maschine nicht eigenmächtig.

Verbrauchte Maschine enthält Akkupack, der sicher zurückgewonnen werden sollten. Entsorgen Sie bitte nicht eigenmächtig.

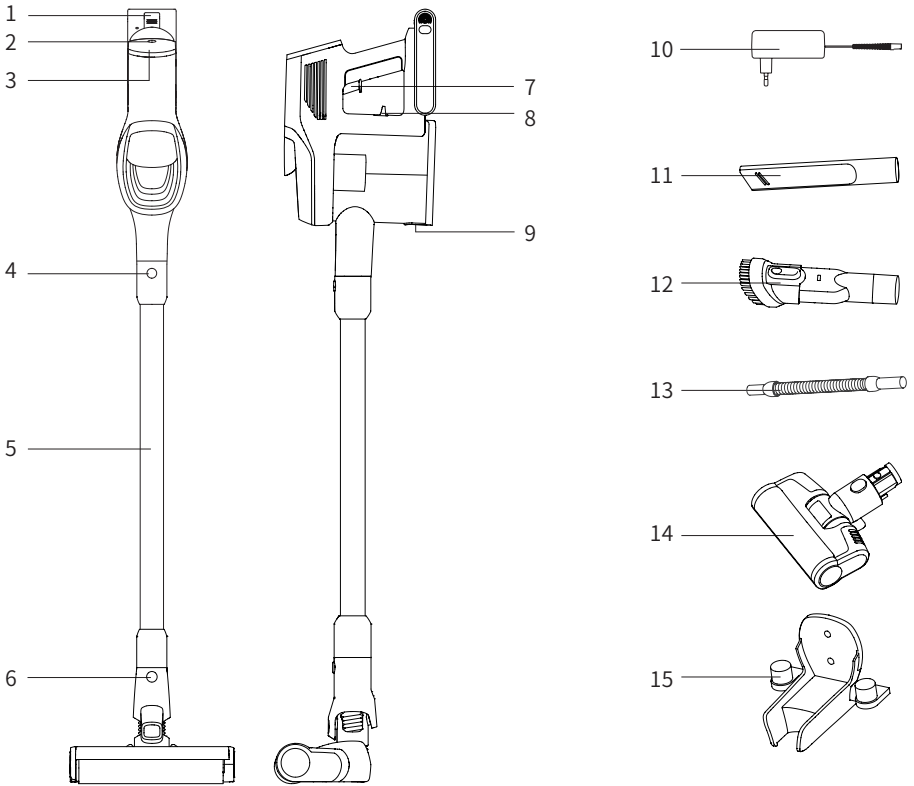
Zur Vermeidung von Gefahren müssen die Fachleute des Herstellers, seine Wartungsabteilung oder die ähnlichen Abteilungen das beschädigte Kabel ersetzen und reparieren.

Kinder ab 8 Jahren und Personen mit eingeschränkten physischen, sensorischen oder intellektuellen Fähigkeiten oder Mangel an Erfahrung und Wissen müssen beim Gebrauch beaufsichtigt oder die sichere Behandlung und die damit verbundenen Gefahren unterwiesen werden, bevor sie dieses Produkt verwenden.

Dieses Gerät darf nur mit dem originalen Netzteil verwendet werden



# Teilname



- 1. Batterie-Entriegelungsknopf
- 2. Modus-Taste
- 3. LED Bildschirm
- 4. Metallrohr-Entriegelungsknopf
- 5. Metallrohr
- 6. Bodenbürsten-Entriegelungsknopf
- 7. Ein/Aus Schalter
- 8. Entriegelungsschloss der Staubbecher
- 9. Entriegelungsschloss der unteren Kappe
- 10. Adapter
- 11. Flacher Saugkopf
- 12. Sofa-Saugkopf
- 13. Flexibel Schlauch
- 14. Elektrische Milbenentfernungsbürste
- 15. Ladehalter

## Packliste

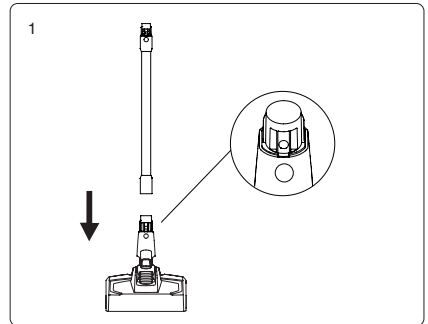
Nome	Handstaubsauger	Elektrische Bodenbuerste	Elektrische Milbenentfernungsbürste	Sofa-Saugkopf	Flacher Saugkopf	Metallrohr
Menge	1	1	1	1	1	1
Flexibel Schlauch	Expansionsrohr	Ladehalter	Zubehörhalter	Schraube	Adapter	Anleitung
1	2	1	2	3	1	1

## Produktmontage

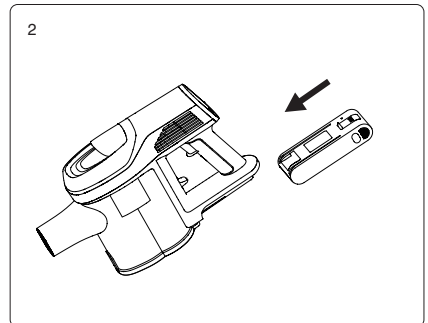
### Installation von elektrischen Bürsten und Metallrohren

Halten Sie bei Verbindung die elektrische Bürste mit der linken Hand in der angezeigte Richtung, führen Sie das Metallrohr mit der rechten Hand in den Erdungsbürstenstecker ein, richten Sie den leitenden Stift aus und drücken Sie das Metallrohr fest nach unten, bis Sie das "Klick"-Ton hören.

Hinweis: Bei der Montage stimmt die Griffausrichtung mit der Richtung der Bodenbürste überein und richtet sich an der leitenden Nadel und dem Wagenheber aus.



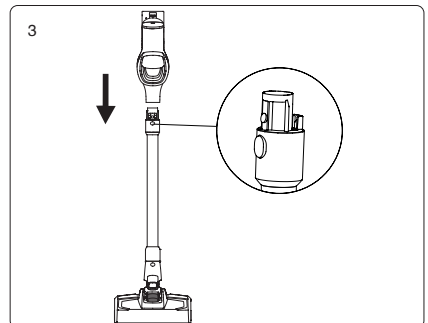
Wenn Sie beim Verpacken oder Aufräumen des Staubsaugers die elektrische Bürste entfernen müssen, halten Sie die in der Abbildung angegebene Bodenbürsten-Entriegelungstaste gedrückt und ziehen Sie die elektrische Bürste in der angezeigte Richtung. (Abb. 1)



### Installation von Batterie- und Handstaubsaugern

Installation von Akkupacks: Stabilisieren Sie den Handstaubsauger mit einer Hand, halten Sie den Akku mit der anderen Hand, zielen Sie auf die Schienennut am Körper und installieren Sie den Akkupack in Richtung des angezeigten Pfeils. Ziehen Sie den Akku nach der Installation ab, um sicherzustellen, dass er nicht gelöst wird.

Hinweis: Wenn Sie den Staubsauger lange nicht verwenden, nehmen Sie bitte die Batterie aus, packen Sie die Maschine ein, und lagern Sie die an einem kühlen und trockenen Ort und stellen Sie sie niemals direkte in Sonneneinstrahlung oder Feuchtigkeit. (Abb. 2)



### Installation von Metallrohren und ganzen Einheiten

Installieren Sie zunächst die Bodenbürste und das Metallrohr gemäß der Installationsmethode

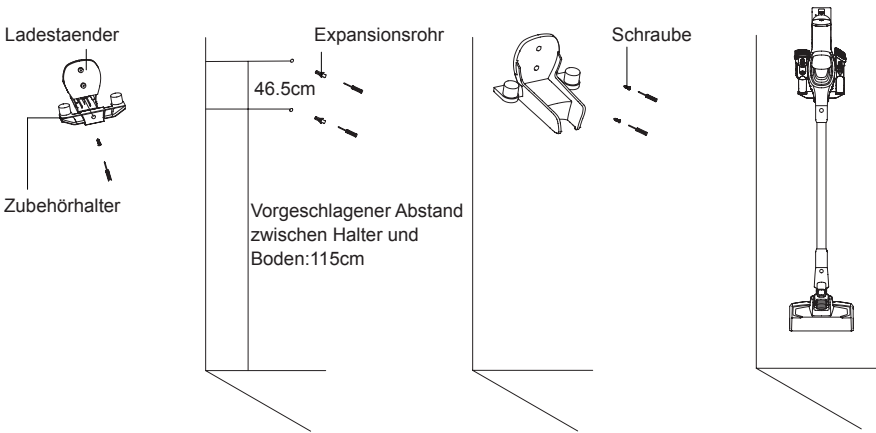
der elektrischen Bodenbürste und des Metallrohrs.

Installation der Bodenbürsten-Metallrohrbaugruppe und des Handstaubsaugers: Wie in der Abbildung gezeigt, richten Sie den Metallrohrleiter am Saugdüsenkoppler aus und drücken Sie ihn fest nach oben, bis Sie das "Klick" hören. (Abb. 3)

### Installation der Ladebuchse

Zubehörhalter am Ladelloch montieren und Zubehörhalter mit Schraube befestigen. Legen Sie zuerst den Staubsauger in den Kleiderbügel und lassen Sie den Staubsauger aufrecht an der Wand stehen. Es ist angebracht, die Höhe entsprechend der elektrischen Bürste zu bürsten, ohne den Boden zu berühren. Entfernen Sie den Staubsauger, stecken Sie die Wand in das Expansionsrohr, setzen Sie den Aufhänger in die Position des Expansionsrohrs und verriegeln Sie die Schrauben, um sie festzuziehen. Stellen Sie den Staubsauger nach der Installation zum Aufladen oder Aufbewahren auf den Ladeständer.

Achtung: Bitte befestigen Sie es nicht an feuchten Wänden wie Badezimmern.

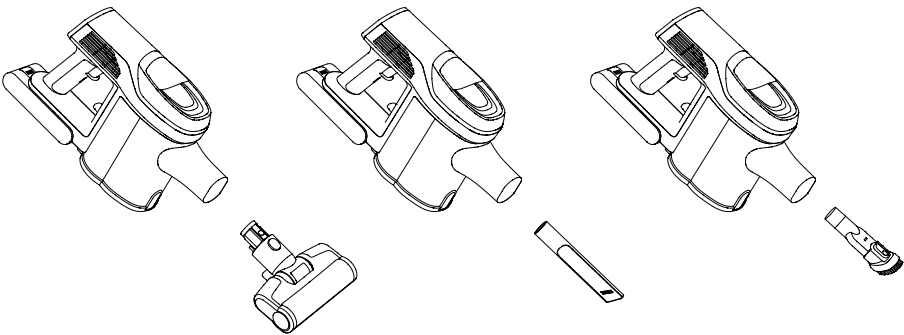


### Befestigungsverbindung

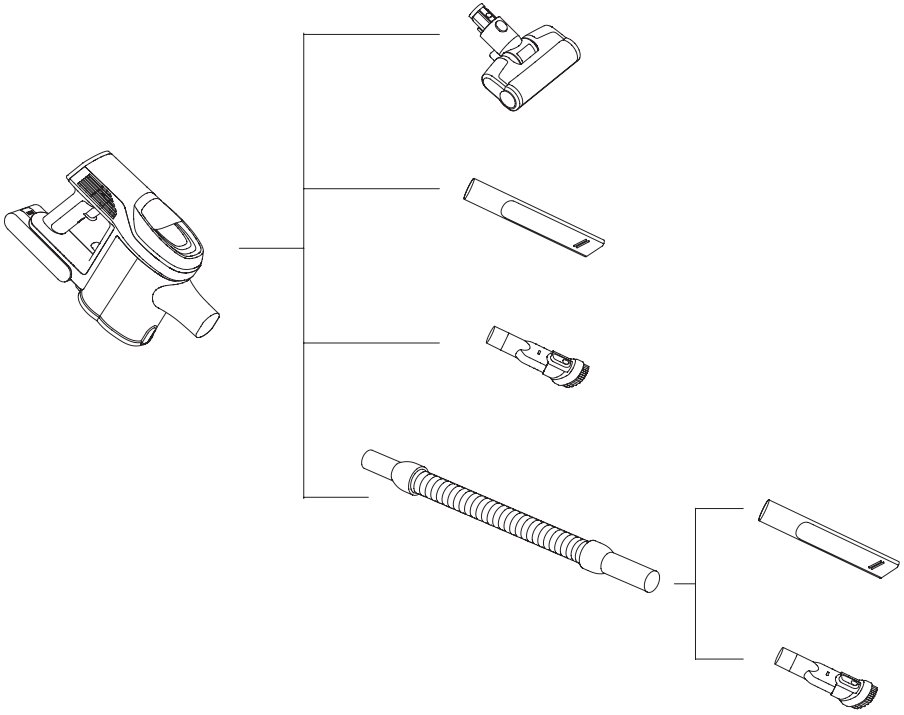
Aus Gründen der Benutzerfreundlichkeit ist dieses Produkt speziell mit einigem Zubehör für den Handheld-Teil des Staubsaugers ausgestattet. Wenn Sie den Handstaubsauger allein verwenden, können Sie die Anbaugeräte direkt oder bei Bedarf über Flexibel Schlauch anschließen.

Name	Modell	JV83 Pro
Elektrische Milbenentfernungsbürste		
Polsterbürste		
Flacher Saugkopf		
Flexibel Schlauch		

Die Verbindung zwischen Handstaubsauger und elektrischer Milbenentfernungsbürste, flacher Absaugung, Sofaabsaugung und weicher Borstenbürste ist in der Abbildung dargestellt.



### Verbindungsdetails für Anhänge



# Verwendung von Staubsaugern

## Aufladen

Hinweis: Wenn Sie dieses Produkt zum ersten Mal verwenden, ist die Batteriekapazität des Staubsaugers möglicherweise nicht voll. Sie müssen den Staubsauger aufladen und verwenden, wenn er voll ist.

## Charge de l'aspirateur

Wenn die Leistung des Staubsaugers nicht ausreicht, laden Sie den Staubsauger bitte rechtzeitig auf; wenn die Spannung zu niedrig ist, um die Batterie zu schützen, unterbricht der Staubsauger automatisch den Strom. Zu diesem Zeitpunkt muss der Staubsauger aufgeladen werden. Stecken Sie das Ladegerät beim Aufladen in die Netzsteckdose und legen Sie den, Stecken Sie ein anderes Ende des Ladegeräts in die Batterie, um mit dem Aufladen zu beginnen. Wenn der Bildschirm des Handstaubsaugers eine Leistungssteigerung zeigt, bedeutet dies, dass der Staubsauger aufgeladen wird. Wenn sie vollständig aufgeladen ist, zeigt die Ladung 100% an. (Abb. 4)

Wenn der Akku separat aufgeladen wird, ohne an der Maschine montiert zu werden, leuchtet während des Ladevorgangs die Anzeige im Akku rot und leuchtet nach Abschluss des Ladevorgangs grün.

Hinweis:

1. Wenn die Batterieladung kleiner oder gleich  $\leq 20\%$  ist, wenn sich das Maschinengetriebe im Max-Zahnrad befindet, wird es automatisch auf Tur o-Getriebe umgeschaltet. Wenn die Batterie nicht mehr mit Strom versorgt wird, schaltet sich das Produkt automatisch aus.

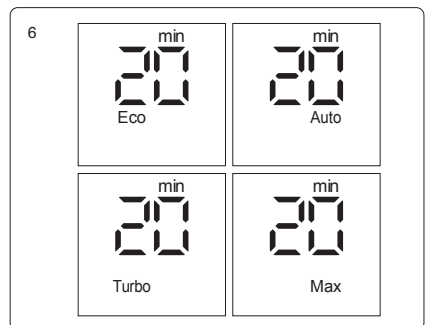
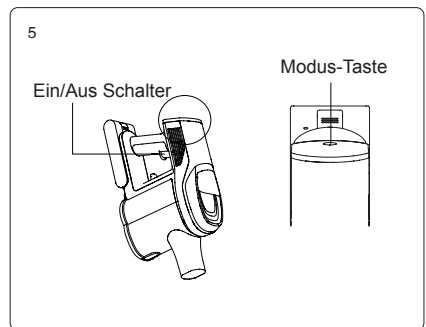
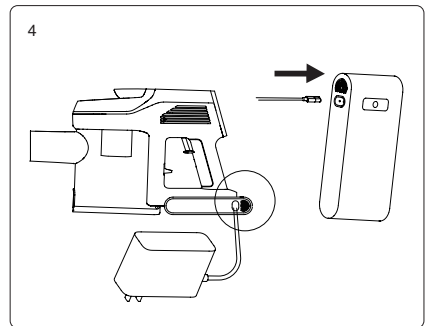
2. Wenn der Staubsauger lange nicht benutzt wird, muss er alle 3 Monate aufgeladen werden, um zu verhindern, dass die Batterie defekt.

Ziehen Sie den Ladestecker nach dem Aufladen rechtzeitig aus der Steckdose aus und stoppen Sie den Ladevorgang.

Achtung: Wenn das Kabel kaputt ist, um Gefahr zu vermeiden, muss es von Hersteller, Reparaturabteilung oder einem Fachmann ersetzt werden.

## Handheld-Nutzung und Display-Inhalt Anzeige

Nachdem Sie den Staubsauger aus dem Lagerregal entfernt haben, drücken Sie die

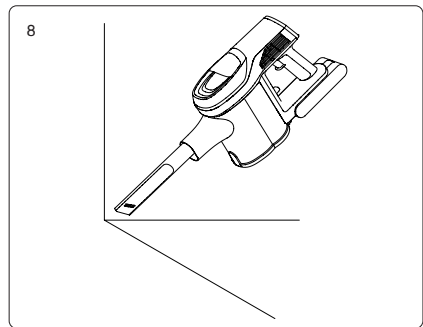
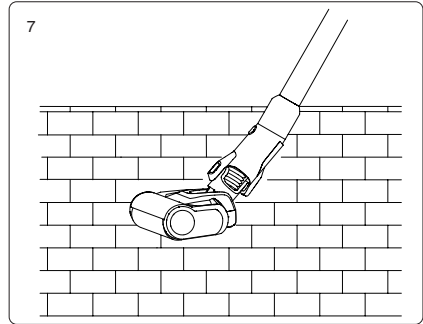


Schaltertaste, um den Start und Stopp des Staubsaugers zu steuern, und die Modustaste kann den Gang einstellen. Schalten Sie den Auto-Modus der gesamten Maschine ein. Drücken Sie die Modus-Taste, um in der Reihenfolge des Turbo-Max - Eco-Auto-Modus hin und her zu wechseln. Wenn der Modus umgeschaltet wird, ändert sich das Display den entsprechenden Modus an.(Abb. 5)

Die Mitte der LED-Bildschirm zeigt die Nutzungszeit des Produkts im aktuellen Arbeitsmodus an. Wenn der Modus umgeschaltet wird, ändert sich auch die Nutzungszeit entsprechend.

Wenn das Produkt im Max-Getriebe mit noch 20% arbeitet, wechselt die Maschine automatisch vom "Max"- in den "Turbo"-Modus, um die Akkulaufzeit der Maschine zu verlängern. Zu diesem Zeitpunkt kann die Aufladung auf >20% High-End-Batterie normal verwendet werden.(Abb. 6)

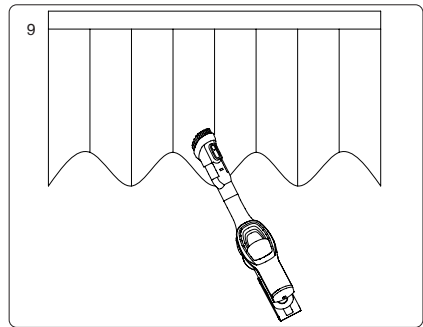
Im Auto-Modus passt die Maschine die Leistung automatisch an die induzierte Staubkonzentration, um eine effizientere Reinigung zu erreichen. Im Auto-Modus zeigt das Display Auto unabhängig von der Stromversorgung an.



## Verwendung von Metallrohr

Elektrische Bodenbürsten eignen sich zur Reinigung von Hartböden, Bodenfliesen, Teppichen und anderen Böden.

Wenn die elektrische Bürste läuft, wenn sie zu große Mengen an Fremdkörpern einatmet oder sich um mehrere Fasern wickelt, legt selbst das Kind fälschlicherweise seine Hand in den Bürstenraum, während es diese Maschine spielt, was zu einer abnormalen Abschaltung der Rollbürste führt, und die Bodenbürste und die ganze Möglichkeit, die persönliche Sicherheit zu schützen, ist auch eine Schutzfunktion des Bodenbürstenmotors.(Abb. 7)

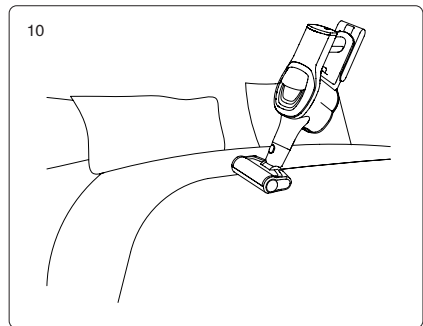


## Anwendung vom Anhängen

Flacher Saugkopf :Geeignet für die Reinigung von Schlitzen, Ecken der Türen und Fenstern und anderen engen Lücken.(Abb. 8)

Sofa-Saugkopf: Geeignet für die Reinigung von Schrank, Fenster, Sofa und Tischplatte.(Abb. 9)

Elektrische Bettabsaugung: geeignet für Sofas und Matratzen. Durch die Schlagvibration der Rollbürste werden Milben, Bakterien usw., die in den Tiefen der Bettwäsche oder des Sofas versteckt sind, ausgesaugt. (Abb. 10)



# Reinigung und Teilen Ersetzung

Hinweise:

1. HEPA wird bei Staubsaugerverkäufern verkauft.

2. Es wird empfohlen, den Staubbecher rechtzeitig nach jedem Gebrauch zu reinigen; wenn zu viel Staubansammlung in der HEPA blockiert ist, muss er gereinigt werden, und er kann bei Bedarf ersetzt werden.

3. Electric Bodenkopfbürstenrolle könnte nach langem Gebrauch mit dem Haar verwickelt sein. Es muss rechtzeitig gereinigt werden, damit der Staubsauger effizienter arbeitet.

## Staubbecher und Filtersysteme

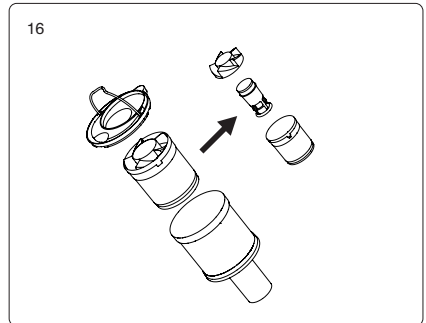
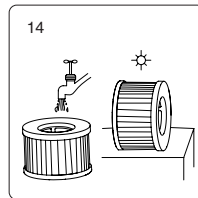
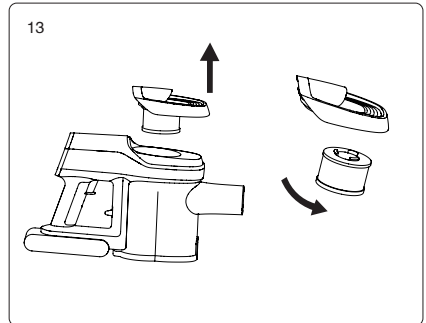
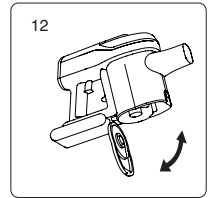
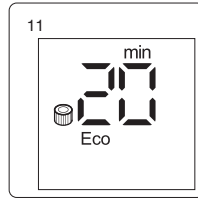
Wenn der Staub voll ist oder der Haipa blockiert ist, erscheint das Haipa-Symbol auf dem Display, wie in der Abbildung unten gezeigt. Bitte reinigen Sie den Staubbecher und den Haipa-Filter rechtzeitig. Ersetzen Sie Haipa, wenn es nötig ist. (Abb. 11)

## Schritte der Reinigung von Staubbecher und Filtersystem:

1. Press Staubbecher untere Abdeckung Freigabeknopf, offene Staubbecher untere Abdeckung, werfen Sie Staub in den Mülleimer. (Abb. 12)

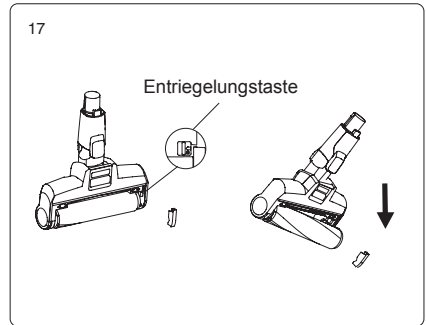
2. Heben Sie HEPA Deckel Versammlung von Staubbecher hoch. HEPA Filter im Uhrzeigersinn drehen und zum Waschen vom HEPA Deckel entfernen. Nach dem Waschen muss HEPA vollständig trocken sein, bevor es wieder verwendet wird. (Abb. 13)(Abb. 14)

3. Push Staubbecher Freigabetaste hinter dem Staubbecher und entfernen Sie Staubbecher. Halten Sie den Zyklon-Montagegriff fest und ziehen Sie ihn aus dem Staubbecher. Zerlegen Sie Zyklonabdeck, Sekundärstaubbecher, Einstellring und inneren Zyklon nacheinander zur Reinigung. Nach dem Waschen müssen alle Teile vor dem erneuten Gebrauch vollständig trocken sein. Nach der Reinigung montieren Sie die Teile wieder in der entgegengesetzten Reihenfolge der Demontage. (Abb. 15)(Abb. 16)



## Walzenbürste reinigen oder ersetzen

1. Bewegen Sie den Entriegelungstaste der Walzenbürste mit dem Finger in Pfeilrichtung, um die Seitenabdeckung der Walzenbürste herauszunehmen.
2. Drehen Sie die Walzenbürste in Pfeilrichtung wie in der Abbildung gezeigt. Die Walzenbürste wird dann zur Reinigung von der Bodenbürste abgenommen.
3. Montieren Sie das Gerät nach Reinigung oder Ersetzen in umgekehrter Reihenfolge der Demontage.(Abb. 17)

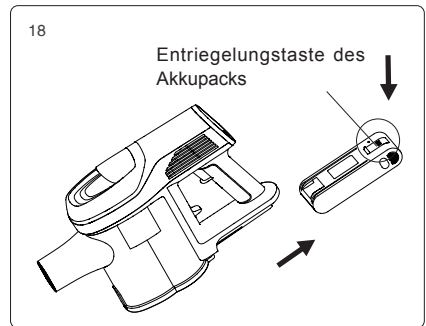


## Staubsauger aufbewahren

When the vacuum is long idled, remove the battery, pack the product and store it in a cool and dry place, do not put in direct sunlight or humid environment.

### Akkupack abnehmen

Drücken Sie die Entriegelungstaste des Akkupacks und ziehen Sie den Akkupack heraus. Legen Sie den Akkupack in eine Plastiktüte und bewahren an einem trocknen Ort auf.(Abb. 18)



## Trouble Shooting

Bevor Sie mit Reparaturen der Reparaturabteilung verbinden, prüfen bitte zuerst.

Störung	Mögliche Ursache	Lösung
Motor funktioniert nicht einwandfrei	Akku ist leer	Staubsauger aufladen
	Ob Metallrohr, Bodenbürste, Akkupack und Handstaubsauger richtig zusammengesetzt	Prüfen Sie den Handstaubsauger, ob die Teile richtig zusammengesetzt sind
Saugkraft reduziert	Staubsammler ist voll	Entleeren Sie den Staub vom Staubsammler
	Filtermembran ist voll mit Staub	Reinigen oder ersetzen die Filtermembran
	Die Einlaßleitung der Bodenbürste verstopft oder Walzenbürste ist blockiert	Den aufgehängten Müll in der Walzenbürste aufräumen
Unzureichende Nutzungsdauer nach dem Aufladen	Ladezeit ist unzureichend	Laden Sie den Akku voll auf, wie im Abschnitt „Aufladen“ beschrieben
	Akkualterung	Akkupack können bei Händlern vor Ort erworben werden



Wenn elektrische Teile defekt sind und eine professionelle Beratung oder Reparatur erforderlich ist, zeigt das Display den Fehlercode F1-F8 wie unten dargestellt an

Die Defekte von F1 bis F8 sind wie folgt:

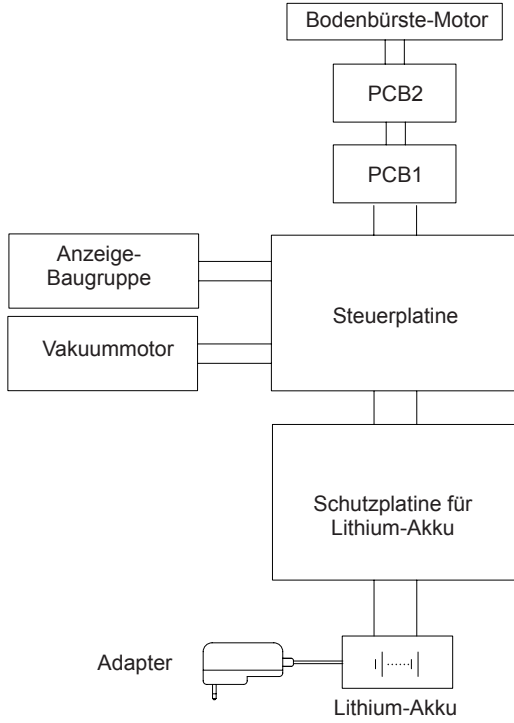
Kodex	Defekt	Lösung
F1	Nickel-Streif des Akkupacks bricht durch	Akkupack ersetzen oder reparieren
F2	Ladegerät funktioniert nicht	Ladegerät ersetzen
F3	Kurzschluss vom Motor des Staubsaugers	Motor des Staubsaugers ersetzen
F4	Akku funktioniert nicht einwandfrei	Akkupack ersetzen oder reparieren
F5	2. Überstromschutz für Vakuummotor	Sustituir el motor de vacío Vakuummotor auswechseln
F6	1. Überstromschutz für Vakuummotor	Vakuummotor auswechseln
F7	PCB funktioniert nicht einwandfrei oder PCB-Leitung ist los	PCB oder PCB-Leitung ersetzen
F8	NTC-Anomalie im Akkupack	Schalten Sie das Gerät aus und warten Sie, bis der Akku abgekühlt ist, bevor Sie es wieder einschalten. Wenn dieser Fehlercode weiterhin angezeigt wird, tauschen Sie den Akku aus

Hinweis: Bei einigen Störungen sind Spezialwerkzeuge erforderlich. Zur Vermeidung von Gefahren müssen die Fachleute des Herstellers, seine Wartungsabteilung oder die ähnlichen Abteilungen Teile ersetzen und reparieren.

## Ausführung

Typ der Maschine	JV83 Pro
Nennspannung	25.2V===
Nennleistung	500W
Eingang Adapter	100-240V~ 50/60Hz 0.8A
Ausgang Adapter	30V=== 600mA
Elektrisches Bürstenmodell	T-EB110KC
Nennleistung der elektrischen Bürste	30W
Akkukapazität	2500mAh
Ladezeit	4h-5h

# Stromnetz



## Info des Herstellers

Hersteller	Kingclean Electric Co., Ltd
Anschrift	Xiangyang-Straße 1, Suzhou-Neustadtteil, Jiangsu-Provinz, VR China, 215009



## Entsorgung

Maschinen, Zubehör und Verpackungen sollten umweltgerecht zurückgewonnen werden.



Werfen Sie die Maschine nicht in den Hausmüll!

Nur für die europäischen Länder: Maschinen, die gemäß der Richtlinie 2012/19/EU nicht mehr verwendbar sind, die defekten oder verbrauchten Akkupacke/Akkus gemäß der Richtlinie 2006/66/EG müssen getrennt auf umweltgerechte Weise gesammelt und entsorgt werden.

### Akkupack/Akku:

Der eingebaute Akku sollte nur von Fachleuten entfernt und entsorgt werden. Gehäuse zu öffnen kann die Maschine beschädigen. Werfen Sie Akkupack/Akku nicht in den Hausmüll, in das Feuer oder Wasser. Akkupack/Akku sollte möglichst umweltgerecht entladen, gesammelt, zurückgewonnen oder entsorgt werden. Ohne Vorankündigung können die Regeln geändert werden.

### Garantie

This product enjoys two year warranty from the date of purchase.

Für dieses Produkt gilt eine zweijährige Garantie ab Kaufdatum.

Ausgeschlossen sind normale Abnutzung, gewerbliche Nutzung, Änderungen an Geräten nach dem Kauf, Beschädigung wegen Reinigungstätigkeiten und unsachgemäßer Verwendung, vom Käufer oder Dritten verursachte Schäden, Schäden, die auf die äußere Umgebung zurückzuführen sind.

# Notes de Sécurité

Cet aspirateur est conçu pour un usage domestique. Ne l'utilisez pas à des fins commerciales ou autres.

Veuillez lire attentivement ce manuel d'instructions avant de l'utiliser et le conserver correctement pour une utilisation ultérieure.

Ne placez pas l'aspirateur à proximité d'un feu ou d'une autre installation à haute température.

N'utilisez pas ou ne stockez pas la machine dans des conditions extrêmement mauvaises, par exemple, une température extrême. Il est recommandé de l'utiliser à l'intérieur, à une température comprise entre 5 °C et 40 °C. Stockez la machine dans un endroit sec et évitez la lumière directe du soleil.

Chargez complètement la batterie avant la première utilisation ou après un long stockage.

Avant d'utiliser l'aspirateur, assurez-vous que le rouleau de brosses est assemblé, sinon cela peut entraîner un blocage du ventilateur du moteur, et donc une panne du moteur.

Veuillez ne pas utiliser l'aspirateur pour aspirer du détergent, de l'huile, des scories de verre, des aiguilles, des cendres de cigarettes, de la poussière humide, de l'eau, des allumettes, etc.

N'utilisez pas l'aspirateur pour ramasser de petites particules telles que du ciment, de la poudre de plâtre, de la poudre de mur, ou de gros objets tels que des boules de papier, sinon cela entraînera des dysfonctionnements tels qu'un blocage et une panne de moteur.

Évitez de bloquer l'entrée d'air ou la brosse, cela pourrait entraîner une panne du moteur.

Ne mettez pas votre main ou votre pied dans l'entrée de la tête du plancher pour éviter de vous blesser.

Ne versez pas ou n'éclaboussez pas d'eau ou d'autres liquides dans la machine afin d'éviter tout court-circuit et de brûler la machine.

Si la brosse ne fonctionne pas, vérifiez si elle n'est pas empêtrée dans des cheveux ou d'autres fibres longues et nettoyez-la à temps.

En cas de stockage prolongé de la machine, assurez-vous que la batterie est entièrement chargée avant le stockage et chargez la machine au moins tous les trois mois.

Débranchez le chargeur pour nettoyer ou réparer la machine. Tenez le chargeur lorsque vous le branchez ou le débranchez, et ne tirez pas sur le cordon de charge.

Utilisez un chiffon sec pour nettoyer la machine. Les liquides tels que l'essence, l'alcool ou le diluant pour laque peuvent provoquer des fissures ou une décoloration et ne doivent pas être utilisés.

Si la machine ne fonctionne pas après avoir été complètement chargée, elle doit être vérifiée et réparée dans notre bureau désigné, veuillez ne pas démonter la machine par vous-même.

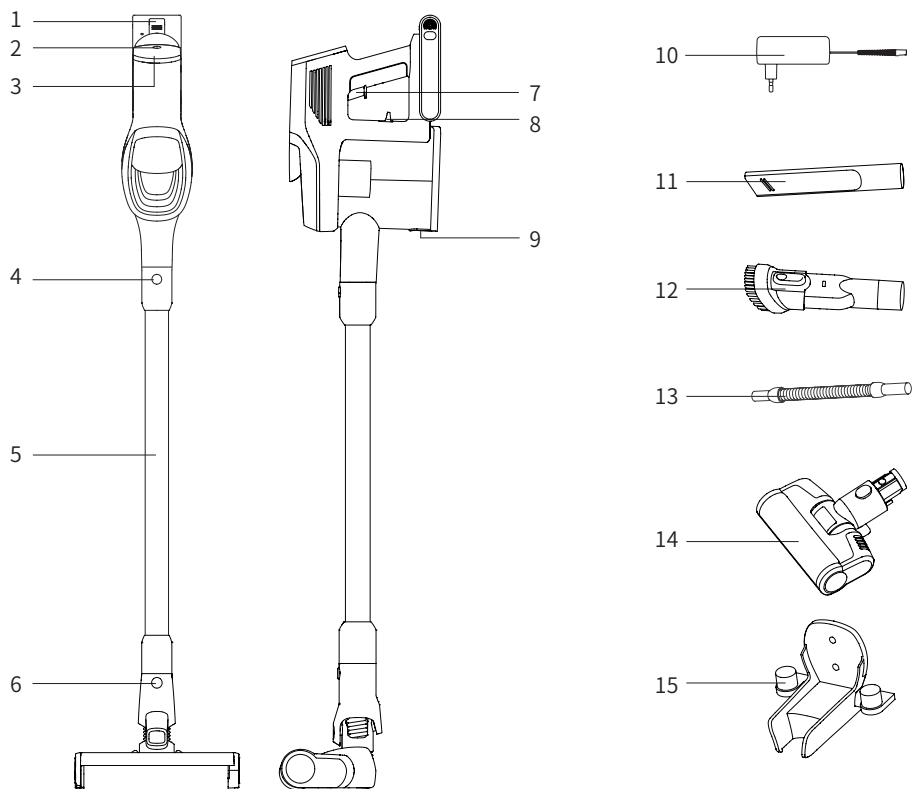
La machine mise au rebut contient des piles. Elles doivent être recyclées en toute sécurité. Ne les jetez pas au hasard.

Si le cordon d'alimentation est endommagé, pour éviter tout danger, il doit être remplacé ou réparé par le fabricant, un réparateur ou un professionnel.

Cet appareil peut être utilisé par des enfants à partir de 8 ans et des personnes ayant des capacités physiques, sensorielles ou mentales réduites ou un manque d'expérience et de connaissances s'ils ont reçu une supervision ou des instructions concernant l'utilisation de l'appareil en toute sécurité et s'ils comprennent les risques encourus.

L'appareil ne doit être utilisé qu'avec le bloc d'alimentation fourni.

## Nom des pièces



1. Bouton de libération du bloc-piles

3. Écran LED

5. métallique flexible

7. Bouton marche/arrêt

9. Loquet de déverrouillage du bac à poussière

11. Outil de crevasse

13. Tuyau étiré

15. Support de chargement

2. Bouton Mode

4. Bouton métallique de libération du tube

6. Bouton de libération de la tête du plancher

8. Bouton de libération de tasse à poussière

10. Chargeur

12. Outil de tapisserie

14. Brosse électrique pour l'élimination des acariens

## Liste de colisage

Nom	Aspirateur à main	Tête de plancher électrique	Brosse électrique pour l'élimination des acariens	Outil de tapisserie d'ameublement	Outil de crevasse	métallique flexible
Montant	1	1	1	1	1	1
Tuyau étiré	Chargeur	Support de chargement	Support pour accessoires	Vis	Tuyau d'expansion	Manuel d'instruction
1	1	1	2	3	2	1

## Assemblage du produit

### Assemblage la tête de plancher électrique avec le tube métallique

Tenez la tête de sol avec la main gauche, utilisez la main droite pour insérer le tube métallique verticalement dans la tête de sol, alignez-le avec l'aiguille conductrice, appuyez sur le tube jusqu'à ce que vous entendiez un "clic".

Attention: gardez la poignée et la tête du plancher dans la même direction, l'aiguille conductrice doit être alignée avec la douille.

Lors de l'emballage, du stockage ou du nettoyage, si la tête de plancher électrique doit être retirée, appuyez sur le bouton de libération de la brosse comme indiqué sur la photo et tirez la tête de plancher électrique dans la direction indiquée sur la photo.(Fig. 1)

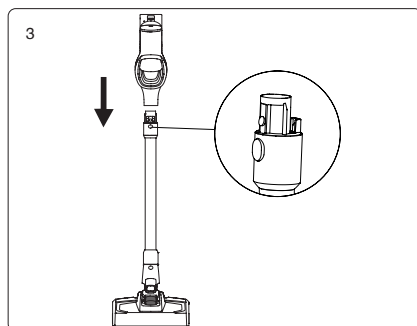
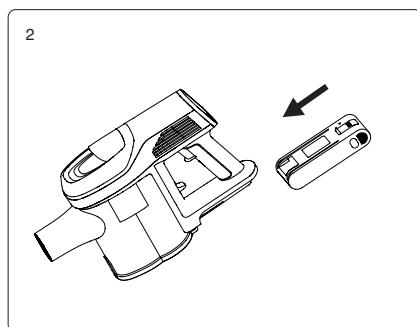
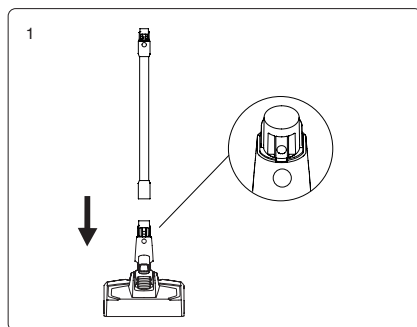
### Assemblage du bloc-piles et l'aspirateur à main

Assemblage du bloc-piles: tenez l'aspirateur à main d'une main, tenez le bloc-piles de l'autre main, visez la rainure de guidage sur le corps, glissez le bloc-piles selon la direction de la flèche indiquée sur l'image. Tirez sur le bloc-piles après l'installation pour vous assurer qu'il ne se détache pas.

Attention: lorsque l'aspirateur est inutilisé depuis longtemps, veuillez retirer le bloc-piles, emballer le produit et le stocker dans un endroit frais et sec, en évitant la lumière directe du soleil ou un environnement humide.(Fig. 2)

### Assemblage du tube métallique et l'aspirateur portatif

Tout d'abord, assemblez la tête de plancher et le tube métallique conformément à la méthode



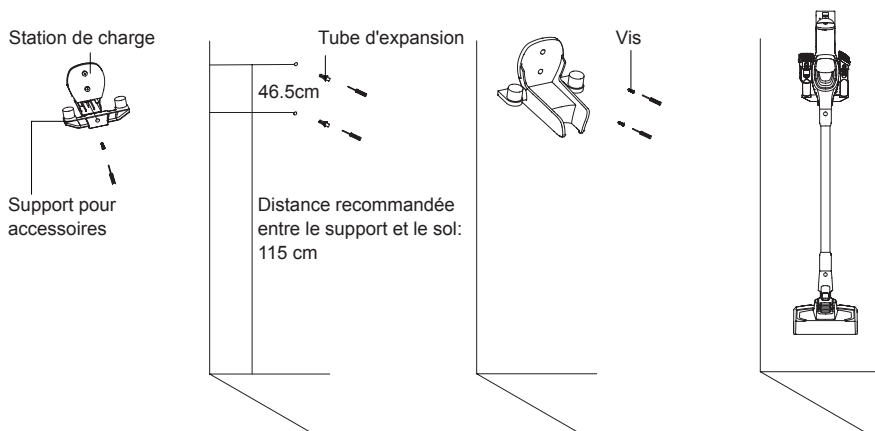
d'assemblage de la tête de plancher électrique et du tube métallique.

Assemblez la tête de sol avec le tube métallique et l'aspirateur à main : comme indiqué sur la photo, alignez l'aiguille conductrice du tube métallique avec le coupleur de l'embout d'aspiration, poussez vers le haut jusqu'à ce que vous entendiez un "clac". (Fig. 3)

## Assemblage du support de chargement

Installez le support d'accessoire sur le trou de charge, puis fixez le support d'accessoire avec des vis. Placez l'aspirateur dans le support, et appuyez l'aspirateur contre le mur, placez le support dans la position où la tête de l'aspirateur ne touche pas le sol. Retirez l'aspirateur à main, placez le tuyau d'expansion sur le mur et placez le support dans la position du tuyau d'expansion, puis verrouillez la vis. Une fois l'assemblage terminé, placez l'aspirateur sur le support du chargeur pour le charger ou le ranger.

Attention : ne pas fixer le support à la salle de bain ou autre mur humide.

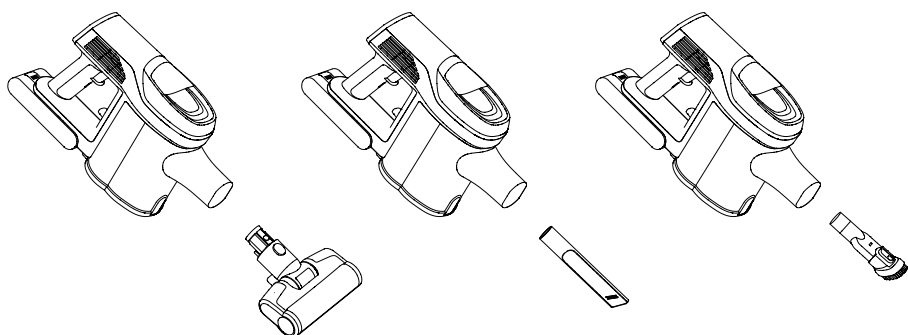


## Assemblage des accessoires

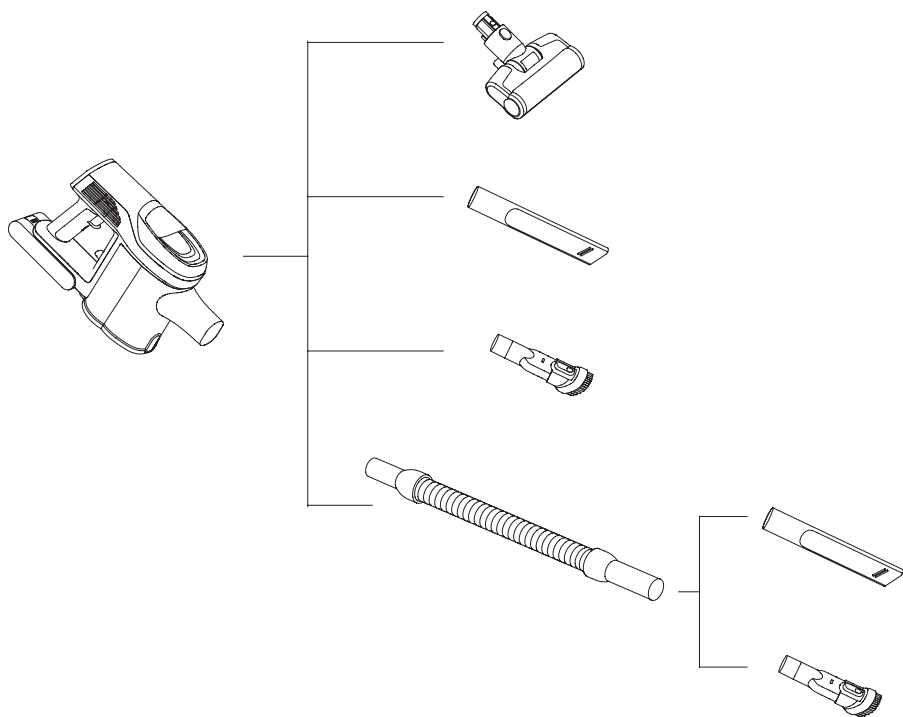
Pour faciliter l'utilisation, ce produit est spécialement équipé de quelques accessoires pour la partie manuelle de l'aspirateur. Lorsque vous utilisez l'aspirateur à main seul, vous pouvez connecter directement les accessoires en fonction de vos besoins ou connecter les accessoires par le biais du Tuyau étiré.

Nom	Modèle	JV83 Pro
Brosse électrique pour l'élimination des acariens		
Outil de tapisserie		
Outil de crevasse		
Tuyau étiré		

Connectez la brosse électrique pour l'élimination des acariens, l'outil de crevasse, l'outil de tapisserie et la brosse douce avec l'aspirateur portatif comme sur la photo.



### Liste de raccordement des accessoires





# Utilisation de l'aspirateur

## Chargement

Attention: lorsque vous utilisez le produit pour la première fois, le bloc-piles n'est pas pleine. Il est nécessaire de charger l'aspirateur avant de l'utiliser.

## Ricarica dell'aspirapolvere

Lorsque la puissance de l'aspirateur est insuffisante, chargez l'aspirateur à temps ; Lorsque la tension est trop faible, pour protéger le bloc-piles, l'aspirateur s'éteint automatiquement, l'aspirateur doit alors être rechargé. Lors de la recharge, branchez le connecteur du chargeur dans la prise de courant alternatif, insérez l'autre extrémité du chargeur dans la batterie et commencez à charger. Lorsque l'écran LED de l'aspirateur portable affiche une augmentation de puissance, cela indique que l'aspirateur est en cours de chargement. Lorsque la charge est terminée, l'écran LED affiche 100 % de puissance.(Fig. 4)

Si la batterie n'est pas Assemblée sur la machine et chargée séparément, l'indicateur dans la batterie est rouge pendant le chargement et devient vert après le chargement.

Attention:

1.lorsque la puissance de le bloc-piles est inférieure à  $\leq 20\%$ , si le produit fonctionne en mode Max, il passera automatiquement en mode Turbo. Lorsque le bloc-piles s'épuise, le produit s'éteint automatiquement.

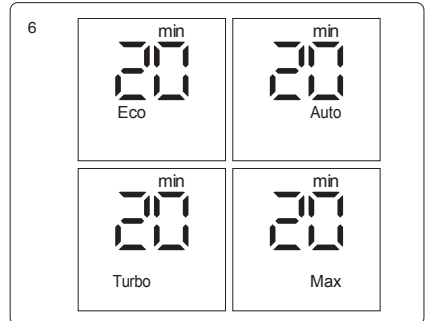
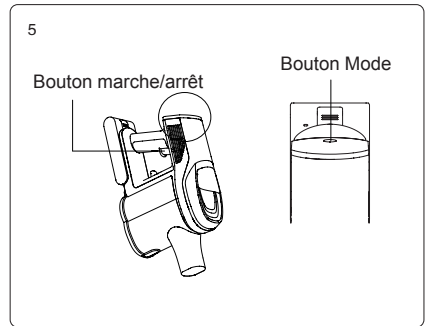
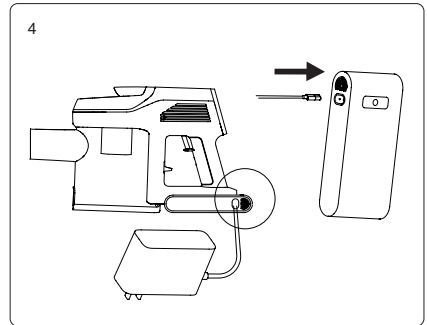
2.si l'aspirateur est laissé au repos pendant une longue période, rechargez le bloc-piles tous les trois mois pour éviter une défaillance de le bloc-piles.

Après le chargement, veuillez retirer la fiche du chargeur de la prise de courant et arrêter le chargement.

Attention: si le cordon d'alimentation est endommagé, pour éviter tout danger, il doit être remplacé par un personnel professionnel du fabricant, un agent de réparation ou un service similaire.

## Utilisation de l'aspirateur à main et du contenu de l'écran LED

Retirez l'aspirateur du support de rangement, appuyez sur le bouton marche/arrêt pour démarrer ou arrêter l'aspirateur. Le



bouton Mode permet de régler le mode de fonctionnement. Lorsque l'appareil est allumé, il fonctionne en mode Turbo, appuyez sur le bouton mode pour passer au mode Turbo- Max - Eco. Pendant le changement de mode, le mode s'affiche sur l'écran LED.(Fig. 5)

Le milieu de l'écran LED affiche le temps de fonctionnement restant du produit dans le mode actuel. Lorsque le mode est modifié, le temps de fonctionnement restant change également en conséquence.

Lorsque le produit fonctionne en mode Max et que la puissance de la bloc-piles tombe en dessous de 20 %, pour prolonger la durée de fonctionnement du produit, celui-ci passe automatiquement du mode Max au mode Turbo. Une fois le bloc-piles chargée à plus de 20 %, le produit peut fonctionner en mode Max.(Fig. 6)

Lorsque le produit fonctionne en mode Auto, il ajuste la puissance de travail en fonction de type de sol qu'il détecte, afin d'obtenir une plus grande efficacité de nettoyage. En mode Auto, l'écran LED affiche Auto quelle que soit la puissance de travail.

## Utilisation de la tête de plancher électrique

La tête de plancher électrique convient à tous les types de sols, tels que les sols durs, les carrelages et les moquettes, etc.

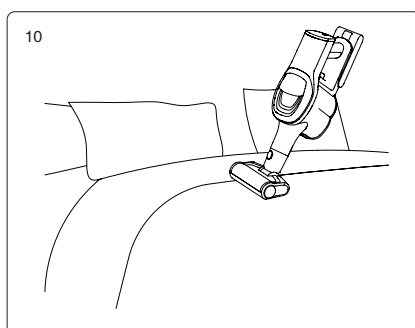
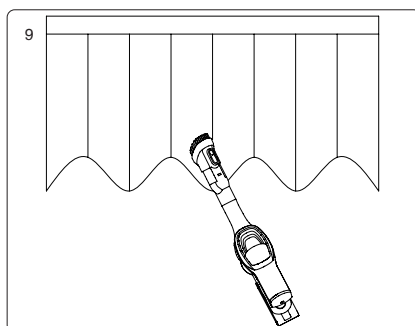
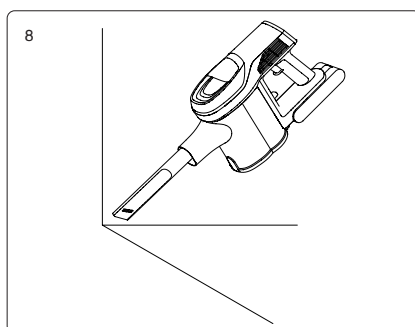
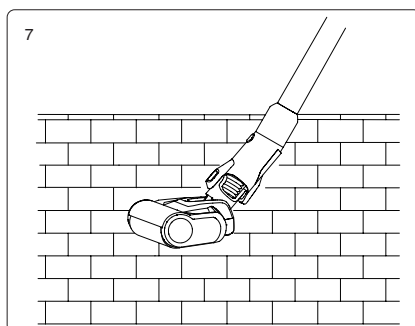
Attention: Pendant le fonctionnement de la tête de sol électrique, s'il y a un grand volume de matières étrangères inhalées ou trop de fibres enroulées, ou même un enfant dans le jeu de la machine a mis par erreur sa main dans la buse, ce qui entraîne l'arrêt anormal de la brosse, la tête de sol électrique s'arrêtera de fonctionner, afin de protéger la sécurité des personnes et le moteur de la brosse.(Fig. 7)

## Utilisation des accessoires

Outil de crevasse: il convient pour nettoyer les fentes, les coins de portes ou de fenêtres et autres espaces étroits.(Fig. 8)

Outil de tapisserie: il convient pour le nettoyage des placards, des rebords de fenêtres, des canapés et des tables.(Fig. 9)

Brosse électrique pour l'élimination des acariens:



il convient aux matelas des canapés et des lits. Le rouleau de brosses bat puis nettoie les acariens et les allergènes des canapés ou des lits profonds. (Fig. 10)

## Nettoyage et remplacement des pièces

Attention :

1. Le filtre HEPA est disponible à la vente auprès des distributeurs locaux d'aspirateurs.
2. Il est recommandé de nettoyer le godet à poussière après chaque utilisation. Lorsque le godet à poussière est plein ou que le filtre HEPA est bouché, il doit être nettoyé et remplacé si nécessaire.
3. Le rouleau de brosse de l'aspirateur de sol électrique peut s'em mêler avec les cheveux après une utilisation prolongée. Il doit être nettoyé à temps pour que l'aspirateur fonctionne plus efficacement.

### Nettoyage du godet à poussière et du système de filtration

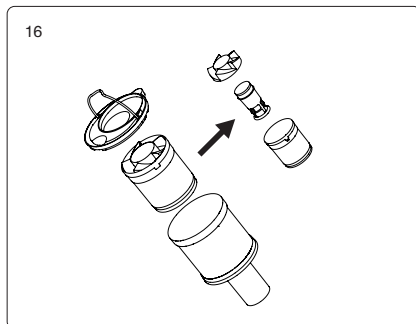
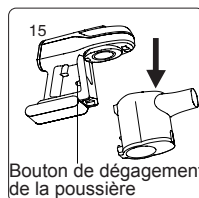
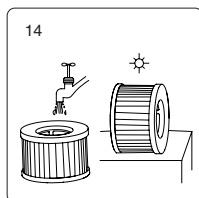
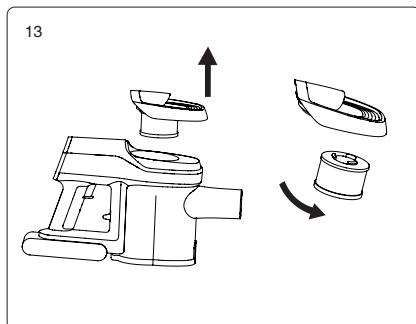
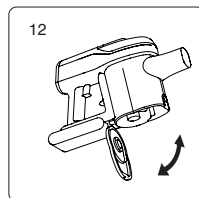
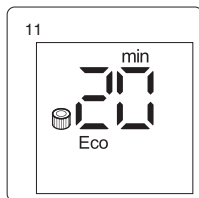
Lorsque le godet à poussière est plein ou que le filtre HEPA est bouché, l'écran LED affiche l'icône HEPA pour vous rappeler de nettoyer le godet à poussière et le filtre. Veuillez nettoyer le godet à poussière et le filtre HEPA à temps. Remplacez le filtre HEPA si nécessaire.(Fig. 11)

### Étapes à suivre pour nettoyer la coupe à poussière et le système de filtration:

1.Appuyez sur le bouton de libération du couvercle inférieur de la tasse à poussière pour ouvrir le couvercle inférieur de la tasse à poussière et verser la poussière dans la poubelle.(Fig. 12)

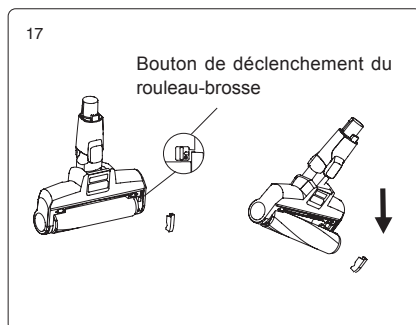
2.Soulevez l'ensemble du couvercle du filtre à air haute efficacité de la tasse à poussière. Faites pivoter le filtre à air haute efficacité dans le sens des aiguilles d'une montre pour le retirer du couvercle du filtre à air haute efficacité et le laver. Après le lavage, HEPA doit sécher complètement avant de pouvoir être réutilisé. (Fig. 13)(Fig. 14)

3.Retirez la coupe à poussière en appuyant sur le bouton de libération de la coupe à poussière situé derrière la coupe à poussière. Tenez la poignée de l'ensemble cyclone et retirez - la de la tasse à poussière. Retirez successivement le dessus de la Vrille, la coupe à poussière secondaire, la bague de réglage, la Vrille interne pour le nettoyage. Après le lavage, toutes les pièces doivent être complètement sèches avant de pouvoir être réutilisées. Après nettoyage, remontez les pièces dans l'ordre inverse de leur démontage.(Fig. 15)(Fig. 16)



## Nettoyage du rouleau de brosse

1. Déplacez le bouton de libération de la brosse dans le sens de la flèche pour retirer le couvercle latéral.
2. Retirez une extrémité de la brosse et sortez-la de la buse pour la nettoyer.
3. Après avoir nettoyé ou remplacé la brosse, remontez-la dans l'ordre inverse du démontage. (Fig. 17)

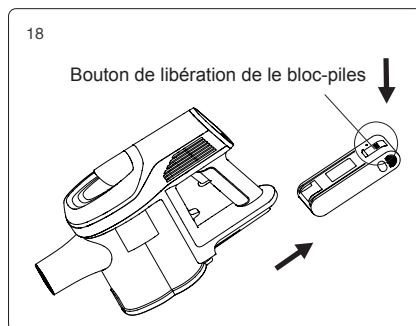


## Rangement de l'aspirateur

Lorsque l'aspirateur est inutilisé depuis longtemps, retirez le bloc-piles, emballez le produit et stockez-le dans un endroit frais et sec, ne le mettez pas en plein soleil ou dans un environnement humide.

### Démontage du bloc-piles

Appuyez sur le bouton de libération de le bloc-piles, retirez le bloc-piles dans le sens de la flèche et placez le bloc-piles dans un sac en plastique, puis rangez-la dans un endroit sec. (Fig. 18)



## Résolution des problèmes

Veillez vérifier les points suivants avant d'envoyer l'appareil à l'agent de réparation désigné.

Trouble	Causes possibles	Solutions
Le moteur ne fonctionne pas	le bloc-piles n'est pas alimenté	Chargez l'aspirateur
	Le tube métallique, la tête de plancher, le bloc-piles et l'aspirateur ne sont pas assemblés correctement	Vérifiez que les accessoires sont correctement assemblés à l'aspirateur
Gouttes d'aspiration	Tasse à poussière pleine	Nettoyez le godet à poussière
	Filtre bloqué	Nettoyez ou remplacez le filtre
	Passage d'air de la tête de plancher bloqué	Nettoyez le passage d'air de la tête de plancher
Temps de travail court après la charge	La machine n'est pas complètement chargée	Suivez le manuel d'instructions pour charger complètement le bloc-piles
	Batterie vieillissante	Des batteries neuves peuvent être achetées auprès d'un distributeur local

Lorsqu'il y a un défaut dans les composants électriques, qui nécessite un service après-vente professionnel pour l'instruction ou la réparation, l'écran LED affiche un avertissement de défaut avec un code d'erreur de F1 à F8. Veuillez contacter le service après-vente de l'agent local et fournir le code d'erreur.

Les défauts de F1 à F8 sont les suivants:

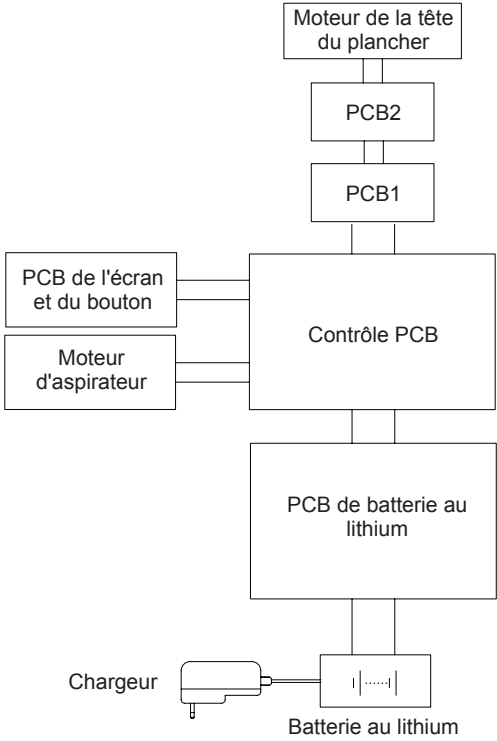
Code	Défauts	Solutions
F1	La bande de nickel de le bloc-piles est cassée	Remplacez ou réparez le bloc-piles
F2	Défaut du chargeur	Remplacez le chargeur
F3	Court-circuit du Moteur	Remplacez le moteur d'aspiration
F4	Défaut des éléments de le bloc-piles	Remplacez ou réparez le bloc-piles
F5	Protection au premier niveau contre les surintensités pour le moteur d'aspirateur	Remplacez le moteur d'aspiration
F6	Protection au secondaire niveau contre les surintensités pour le moteur d'aspirateur	Remplacez le moteur d'aspiration
F7	Défaut du PCB ou fil du PCB desserré	Remplacez le PCB ou le fil du PCB
F8	NTC du bloc-piles anormal	Éteignez l'aspirateur et attendez que le bloc-piles refroidisse. Rallumez l'appareil. Si le code d'erreur apparaît toujours, remplacez le bloc-piles

Attention: s'il y a d'autres défauts qui nécessitent des outils spéciaux, afin d'éviter tout danger, la réparation doit être effectuée par des professionnels du fabricant, un agent de réparation ou un agent similaire.

## Paramètre technique

Modèle	JV83 Pro
Tension nominale	25.2V---
Puissance nominale	500W
Tension d'entrée du chargeur	100-240V~ 50/60Hz 0.8A
Tension de sortie du chargeur	30V--- 600mA
Model No of Electric Floor Head	T-EB110KC
Rated Power of Electric Floor Head	30W
Battery pack capacity	2500mAh
Temps de charge	4h-5h

# Schéma du circuit



## Informations sur le fabricant

Fabricant	Kingclean Electric Co., Ltd
Adresse	No.1 Xiangyang road, Suzhou New District, Jiangsu province, 215009, China



## Mise au rebut

La machine, les accessoires et l'emballage doivent être triés pour un recyclage respectueux de l'environnement.



Ne pas jeter la machine dans les ordures ménagères!

Uniquement pour les pays de la CE : Conformément à la directive européenne 2012/19/UE, les machines qui ne sont plus utilisables, et conformément à la directive européenne 2006/66/CE, le bloc de piles/batteries défectueux ou usagé, doivent être collectés séparément et éliminés de manière écologique.

### Bloc de piles/batteries:

Les batteries intégrées ne peuvent être retirées pour être éliminées que par du personnel qualifié.

L'ouverture de la coque du boîtier peut endommager ou détruire la machine.

Ne pas jeter les blocs de batteries/piles dans les ordures ménagères, le feu ou l'eau. Le bloc de piles/batteries doit, si possible, être déchargé, collecté, recyclé ou éliminé d'une manière respectueuse de l'environnement.

Do not dispose of battery packs/batteries into household waste, fire or water. Battery packs/batteries should, if possible, be discharged, collected, recycled or disposed of in an environmental-friendly manner.

Sous réserve de modifications sans préavis. s

### Informations sur la garantie

Ce produit est couvert par une garantie de deux ans à compter de la date d'achat.

Elle ne couvre pas l'usure normale, l'utilisation commerciale, les modifications apportées à l'équipement après l'achat, les activités de nettoyage, la mauvaise utilisation, les dommages causés par l'acheteur ou par des tiers, les dommages imputables à l'environnement extérieur.

## Note di sicurezza

Questo aspirapolvere è stato progettato per uso domestico. Non utilizzare per scopi commerciali o altro.

Si prega di leggere questo manuale d'uso con attenzione prima dell'utilizzo e di conservarlo per riferimenti futuri.

Non tenere l'aspirapolvere vicino a fonti di calore o impianti ad alta temperatura.

Non utilizzare o conservare l'apparecchio in condizioni estreme, per esempio a temperature estreme. Si raccomanda l'utilizzo all'interno, ad una temperatura tra i 5 °C e i 40 °C. Conservare l'aspirapolvere in luoghi asciutti ed evitare la luce diretta del sole.

Eseguire una ricarica completa della batteria prima del primo utilizzo o dopo un periodo di fermo.

Prima dell'utilizzo, assicurarsi che la spazzola rotante sia installata correttamente, altrimenti potrebbe causare il blocco della ventola e bruciare il motore.

Si prega di non utilizzare l'aspirapolvere per aspirare detersivo, olio, schegge di vetro, aghi, cenere di sigaretta, polvere bagnata, acqua, fiammiferi, ecc.

Si prega di non utilizzare l'aspirapolvere per aspirare particelle piccole, come cemento, gesso in polvere, muro, oppure oggetti di grandi dimensioni, come palle di carta, altrimenti potrebbero causare malfunzionamenti come blocco e bruciatura del motore.

Evitare di bloccare la bocchetta di ingresso dell'aria o la spazzola rotante, potrebbe causare guasti al motore.

Non mettere le mani o i piedi nell'ingresso della spazzola per evitare infortuni.

Non versare e spruzzare acqua o altri liquidi sull'apparecchio per prevenire cortocircuiti ed il danneggiamento dello stesso.

Se la spazzola non funziona, verificare che sia libera da capelli o altre fibre lunghe e pulirla tempestivamente.

Quando non si utilizza l'apparecchio per un lungo periodo, assicurarsi che la batteria sia stata caricata completamente e ricaricarla ogni 3 mesi.

Scollegare il caricabatteria per pulire o riparare l'apparecchio. Sostenere il caricatore quando si collega o scollega, senza tirare il cavo.

Utilizzare un panno asciutto per pulire l'aspirapolvere. Non utilizzare liquidi come benzina, alcool, diluenti per smalto, ecc., che potrebbero causare crepe o lo sbiadimento dei colori.

Se l'apparecchio non funziona dopo una ricarica completa, deve essere controllato e riparato presso un centro assistenza; si prega di non smontare la macchina da soli.

L'apparecchio contiene batterie. Devono essere smaltite e riciclate in modo sicuro.

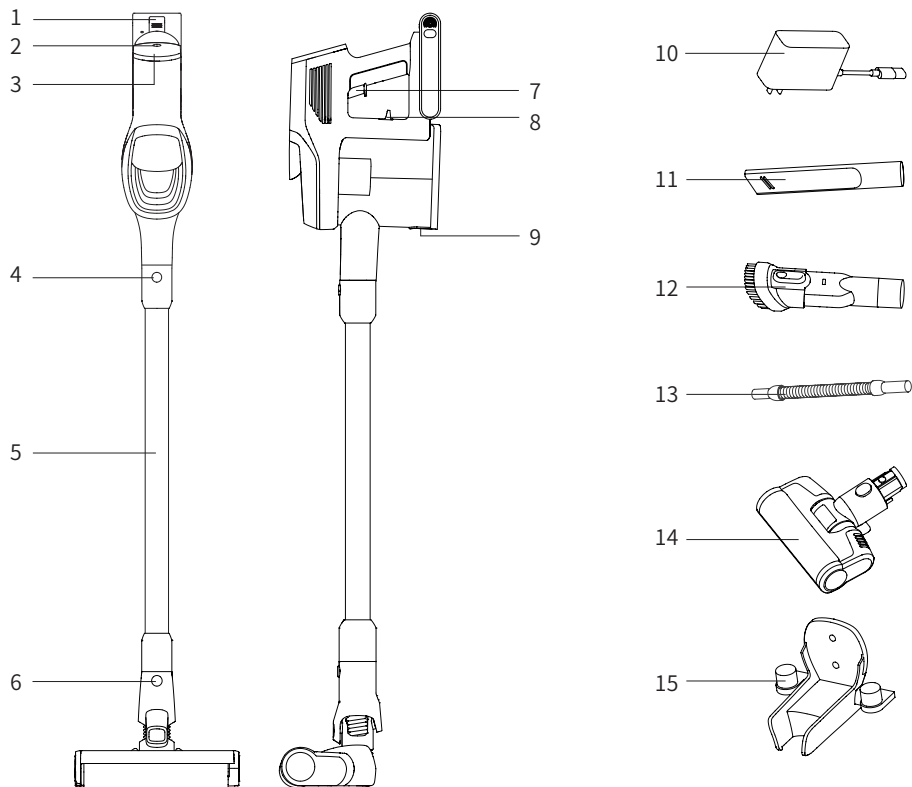
In presenza di danni al cavo di alimentazione rivolgersi al centro assistenza del produttore.

Questo aspirapolvere può essere utilizzato da bambini di età superiore agli 8 anni e persone con disabilità sotto supervisione oppure previa raccomandazione su utilizzo sicuro e rischi.

Utilizzare solo con l'alimentatore in dotazione con l'aspirapolvere.



## Denominazione parti aspirapolvere



1. Pulsante di rilascio batteria

3. Schermo a LED

5. Tubo metallico

7. Pulsante On/Off

9. Apertura sportello contenitore della polvere

11. Bocchetta per fessure 2 in 1

13. Tubo flessibile

15. Supporto di ricarica

2. Pulsante Switch MODE

4. Pulsante di rilascio tubo metallico

6. Pulsante di rilascio spazzola

motorizzata principale

8. Pulsante di sgancio della tazza antipolvere

10. Alimentatore

12. Bocchetta per imbottiti 2 in 1

14. Spazzola motorizzata per materasso

## Contenuto della confezione

Nome	Corpo Aspirapolvere	Spazzola motorizzata principale	Spazzola motorizzata per materasso	Bocchetta per imbottiti 2in1	Bocchetta per fessure 2in1	Tubo metallico
Quantità	1	1	1	1	1	1
Tubo flessibile	Alimentatore	Supporto di ricarica	Accessory holder	Viti	Tubo di espansione	Manuale d'uso
1	1	1	2	3	2	1

## Installazione dell'apparecchio

### Assemblaggio della spazzola motorizzata principale con il tubo metallico

Prendere la spazzola motorizzata principale con una mano e usare l'altra per inserire il tubo metallico verticalmente sulla spazzola, allineare e premere finché non si sente il "click".

Attenzione: tenere la maniglia e la spazzola motorizzata nella stessa direzione, in modo da essere allineati con l'impugnatura.

Durante l'imballaggio, la conservazione o la pulizia, se la spazzola motorizzata principale necessita di essere rimossa, premere il pulsante di rilascio della spazzola come in foto e tirare la spazzola motorizzata nella direzione mostrata nell'immagine.(Fig 1)

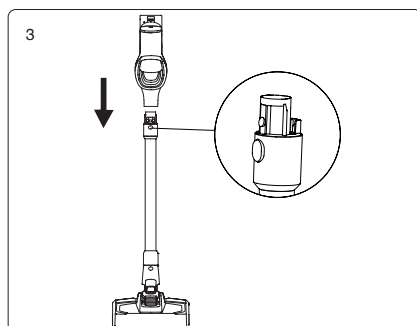
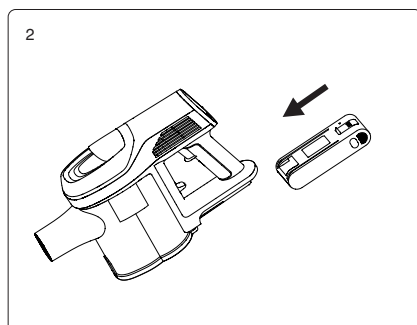
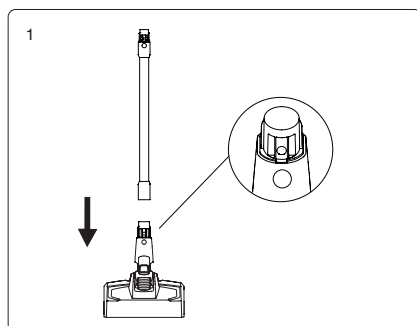
### Installazione della batteria e dell'aspirapolvere portatile

Installazione della batteria: tenere l'aspirapolvere portatile con una mano, prendere la batteria con l'altra mano, allineare alle guide, inserire la batteria nella direzione mostrata dalla freccia nell'immagine; quindi tirare la batteria dopo l'installazione per assicurarsi che non si allenti.

Attenzione: quando l'aspirapolvere rimane fermo per molto tempo, si prega di rimuovere la batteria, imballare l'aspirapolvere e conservarlo in un luogo fresco e asciutto; evitare la luce diretta del sole o ambienti umidi.(Fig 2)

### Installazione del tubo metallico e dell'aspirapolvere portatile

Innanzitutto, installare la spazzola motorizzata al tubo metallico, secondo la procedura sopra



descritta.

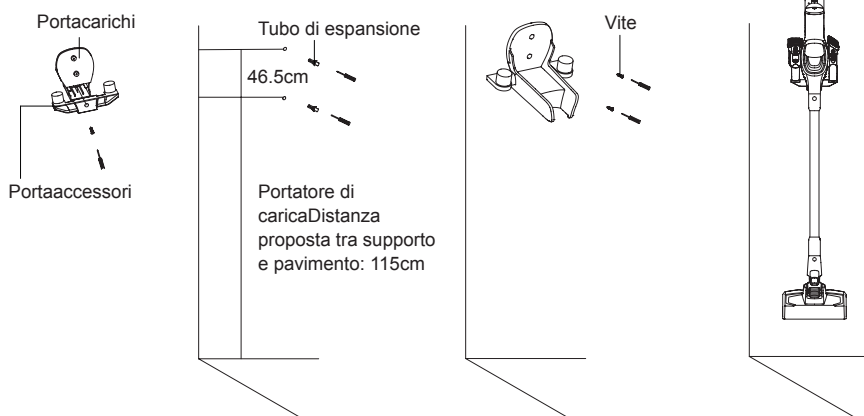
Installazione della spazzola motorizzata principale con il tubo metallico all'aspirapolvere portatile: come mostrato dall'immagine, allineare il tubo metallico flessibile all'aspirapolvere portatile e spingere verso l'alto finché non si sente un "click". (Fig 3)

## Installazione supporto di ricarica

Assemblare i supporti accessori al foro di ricarica, quindi fissare i supporti accessori con viti. Posizionare l'aspirapolvere sul supporto appoggiandolo al muro e collocare l'aspirapolvere portatile in modo che la base della spazzola motorizzata non tocchi terra.





Rimuovere l'aspirapolvere portatile, posizionare il tubo di espansione sulla parete e fissare ad esso il supporto con le viti. Al termine dell'installazione, posizionare l'aspirapolvere sul supporto di ricarica per caricarlo o conservarlo.

Attenzione: non installare il supporto in bagno o su altre pareti umide.

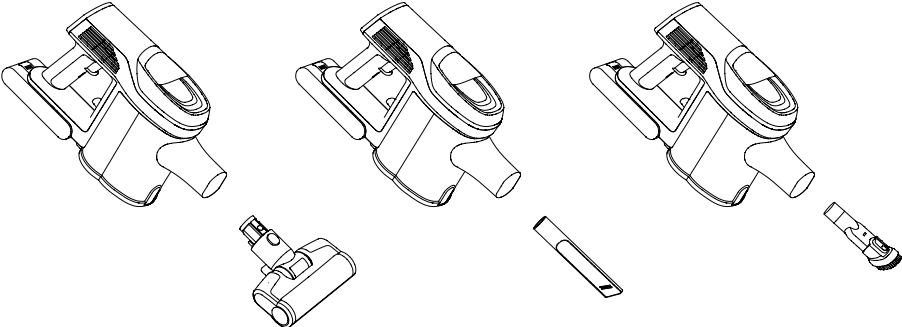


## Installazione degli accessori

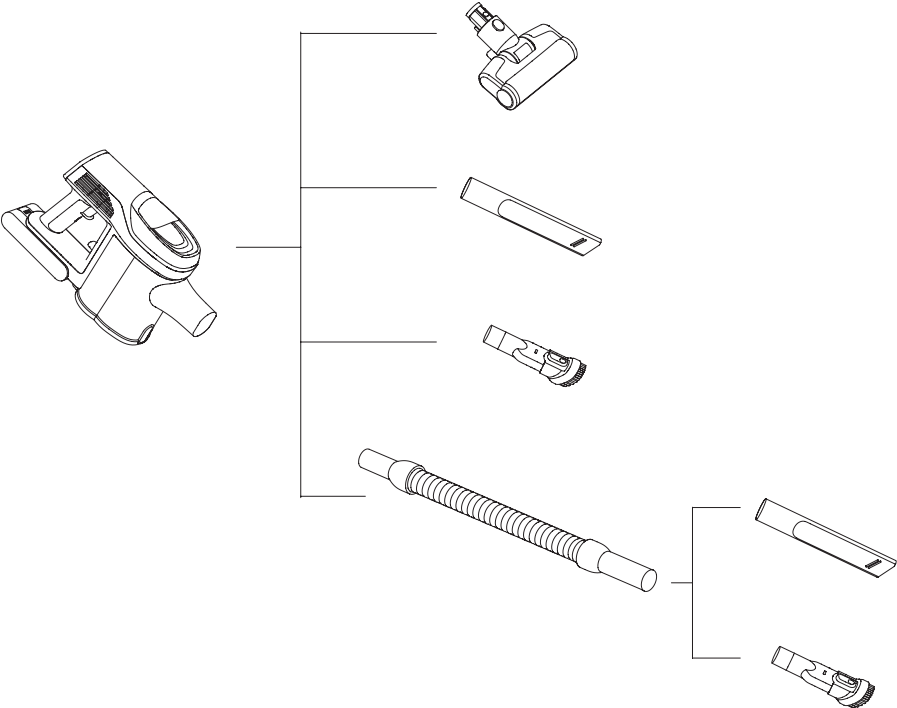
Per comodità di utilizzo, questo prodotto è equipaggiato di alcuni accessori per la parte portatile dell'aspirapolvere. Quando si utilizza solamente la parte portatile dell'aspirapolvere è possibile connettere direttamente gli accessori in base alle necessità oppure collegare gli accessori tramite il tubo flessibile.

Nome	Modello	JV83 Pro
Spazzola motorizzata per materassi		
Bocchetta per imbottiti 2 in 1		
Bocchetta per fessure 2 in 1		
Tubo flessibile		

Collega la spazzola motorizzata per materasso, la bocchetta per fessure o imbottiti e la spazzola morbida per spolverare come nelle immagini.



Lista combinazioni degli accessori



# Utilizzo dell'aspirapolvere

## Ricarica

Attenzione: quando si utilizza l'apparecchio per la prima volta, la carica della batteria non è piena. È necessario ricaricare l'aspirapolvere prima dell'utilizzo.

## Ricarica dell'aspirapolvere

Quando la potenza dell'aspirapolvere è insufficiente, caricarlo tempestivamente; Quando la tensione è troppo bassa, per proteggere la batteria, l'aspirapolvere si spegne automaticamente, a questo punto l'aspirapolvere necessita di essere ricaricato. Durante la ricarica, collegare il connettore del caricabatterie alla presa di alimentazione A/C, collegare un'altra estremità del caricabatterie alla batteria per iniziare a caricare. Quando il display a LED dell'aspirapolvere portatile mostra un aumento di percentuale, significa che l'aspirapolvere è in carica. Quando la ricarica è completa, il display a LED mostra il 100% di ricarica.(Fig 4)

Se il pacco batteria viene caricato separatamente senza essere assemblato sulla macchina, durante la carica, l'indicatore nel pacco batteria è rosso e diventa verde al termine della carica.

Attenzione:

1. quando la potenza della batteria è inferiore a  $\leq 20\%$ , se l'apparecchio aspira in modalità Max passerà automaticamente in modalità Turbo. Quando la batteria è scarica l'aspirapolvere si spegne automaticamente.

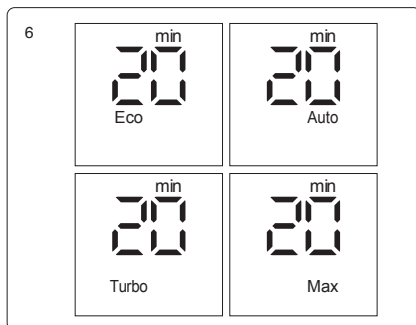
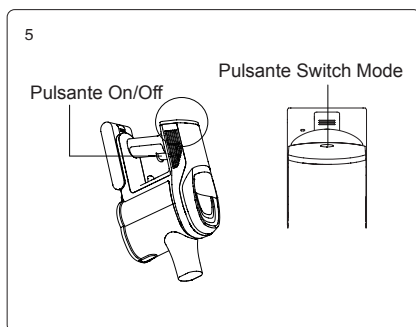
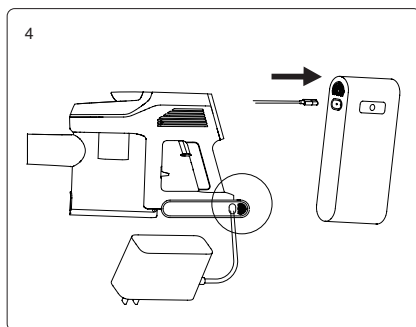
2. se l'aspirapolvere rimane fermo per un lungo periodo, ricaricare la batteria ogni 3 mesi per evitare guasti alla stessa.

Dopo la ricarica, si prega di staccare l'alimentatore dalla presa di corrente e fermare, dunque, la ricarica.

Attenzione: se il cavo di alimentazione è danneggiato, per evitare pericoli, deve essere sostituito dal personale professionale del produttore o presso un centro assistenza autorizzato.

## Utilizzo dell'aspirapolvere portatile e funzioni dello schermo a LED

Estrarre l'aspirapolvere dal supporto, premere il pulsante On/Off per accendere o spegnere l'aspirapolvere. Il pulsante MODE regola la modalità di funzionamento. Quando



l'apparecchio è acceso, aspira in modalità Turbo, premere il pulsante MODE per passare alla sequenza di modalità Turbo- Max - Eco. Durante il cambio di aspirazione, la modalità in uso verrà mostrata sullo schermo a LED.(Fig 5)

Al centro dello schermo a LED viene indicata l'autonomia residua nella modalità in uso. Quando la modalità di aspirazione cambia, anche l'autonomia cambia di conseguenza.

Quando l'apparecchio aspira in modalità Max e la carica della batteria scende sotto al 20%, per aumentare l'autonomia l'aspirapolvere passa automaticamente dalla modalità Max a quella Turbo . Quando la batteria viene ricaricata oltre il 20% l'apparecchio può riprendere il funzionamento in modalità Max.(Fig 6)

Quando l'apparecchio aspira in modalità Auto , adatterà la potenza di aspirazione in base alla presenza di superficie aspirata, in modo da garantire una pulizia efficiente. In modalità Auto lo schermo a LED indicherà Auto indipendentemente dalla potenza di aspirazione.

## Utilizzo della spazzola motorizzata principale

La spazzola motorizzata principale è adatta per la pulizia di tutti i tipi di pavimento, piastrelle e moquette, ecc. . L'apparecchio è dotato di una spazzola per tappeti extra che può essere sostituita alla spazzola a rullo per pavimenti per la pulizia dei tappeti.

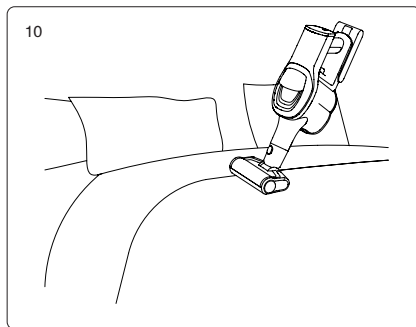
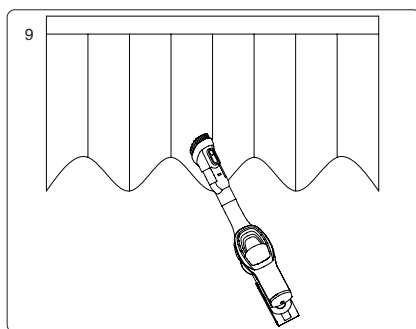
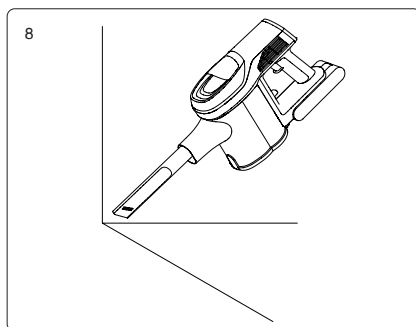
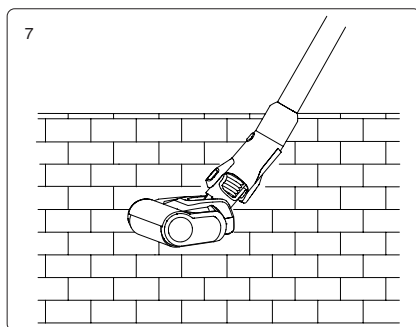
Attenzione: durante il funzionamento della spazzola motorizzata, qualora la spazzola dovesse erroneamente aspirare materiale voluminoso o dovesse avere fibre attorcigliate, o nel caso in cui un bambino abbia inserito una mano o un gioco nella spazzola, che hanno causato un arresto anomalo nella rotazione del rullo, la spazzola motorizzata si spegnerà, per proteggere la sicurezza personale e il motore della spazzola.(Fig 7)

## Utilizzo degli accessori

Bocchetta per fessure 2in1: adatta per la pulizia di fessure, porte, infissi e altre superfici strette. (Fig 8)

Bocchetta per imbottiti 2in1: adatta per la pulizia di armadi, davanzali, divani e tavoli.(Fig 9)

Spazzola motorizzata per materassi: adatta per divani e materassi. Il rullo della spazzola batte e quindi rimuove gli acari della polvere e gli allergeni da divani e letti, anche in profondità. (Fig 10)



## Pulizia e sostituzione degli accessori

Attenzione:

1. Il filtro HEPA è acquistabile presso i distributori locali.

2. Si raccomanda di pulire il contenitore della polvere dopo ogni utilizzo; quando il contenitore è pieno o il filtro HEPA ostruito è necessario pulirli e all'occorrenza sostituire il filtro HEPA.

3. La spazzola motorizzata, dopo un utilizzo prolungato, potrebbe rimanere ostruita dai capelli. È necessario pulirla tempestivamente per mantenere l'aspirazione più efficiente.

### Pulizia del contenitore della polvere e del sistema di filtrazione

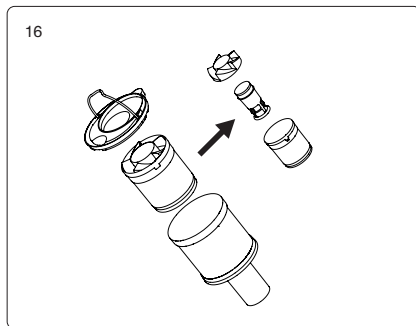
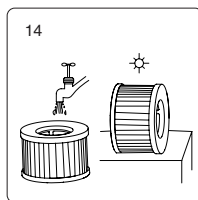
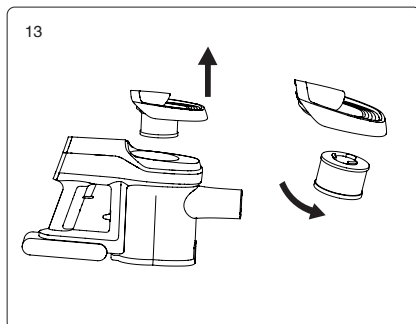
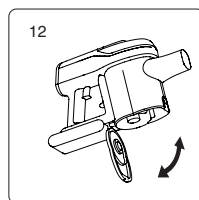
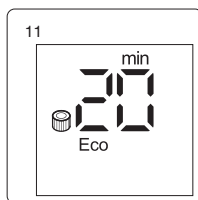
Quando il contenitore della polvere è pieno o il filtro HEPA intasato, lo schermo a LED mostrerà l'icona del filtro HEPA per rimandare alla pulizia di contenitore e filtro. Si prega di pulire il contenitore della polvere ed il filtro HEPA tempestivamente. Sostituire il filtro HEPA se necessario. (Fig 11)

### Passi di pulizia della tazza di polvere e del sistema di filtrazione:

1. Premere il pulsante di rilascio della copertura inferiore della tazza della polvere, aprire la copertura inferiore della tazza della polvere, scaricare la polvere nel cestino. (Fig 12)

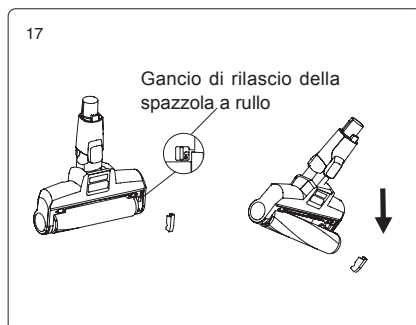
2. Sollevare l'assemblea del coperchio HEPA dalla tazza della polvere. Ruotare il filtro HEPA in senso orario e rimuoverlo dal coperchio HEPA per il lavaggio. Dopo il lavaggio, HEPA deve essere completamente asciutto prima di usarlo di nuovo. (Fig 13)(Fig 14)

3. Push pulsante di rilascio della tazza della polvere situato dietro la tazza della polvere e rimuovere la tazza della polvere. Tenere la maniglia di assemblaggio del ciclone e tirarlo fuori dalla tazza della polvere. Smontare la parte superiore del ciclone, la coppa secondaria della polvere, l'anello di regolazione e il ciclone interno in sequenza per la pulizia. Dopo il lavaggio, tutte le parti devono essere completamente asciutte prima di riutilizzare. Dopo la pulizia, assemblare le parti nella sequenza opposta di smontaggio. (Fig 15)(Fig 16)



## Pulizia della spazzola a rullo

1. Rimuovere il gancio di rilascio della spazzola a rullo nella direzione della freccia per togliere il coperchio laterale.
2. Rimuovere un'estremità della spazzola a rullo, quindi estrarla dall'ugello per pulirla.
3. Dopo la pulizia o la sostituzione della spazzola a rullo, installare nuovamente la spazzola seguendo la procedura inversa al disassemblaggio. (Fig 17)

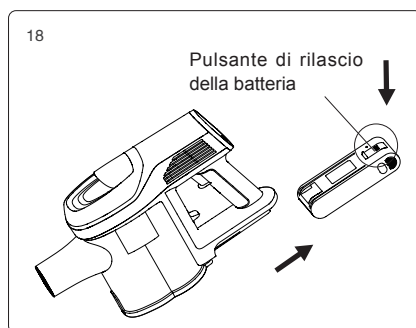


## Conservazione dell'aspirapolvere

When the vacuum is long idled, remove the battery, pack the product and store it in a cool and dry place, do not put in direct sunlight or humid environment.

### Rimozione della batteria

Premere il pulsante di rilascio della batteria, estrarre la batteria nella direzione della freccia e riporla in una busta di plastica, quindi conservarla in un luogo asciutto. (Fig 18)



## Risoluzione dei problemi

Si prega di verificare i seguenti problemi prima di spedire i prodotti verso i centri assistenza designati.

Problema	Possibili cause	Soluzioni
Il motore non si avvia	La batteria è scarica	Ricarica l'aspirapolvere
	Il tubo metallico, la spazzola, la batteria o l'aspirapolvere portatile non sono installati correttamente	Verificare che tutti gli accessori siano fissati correttamente all'aspirapolvere portatile
L'aspirazione è ridotta	Contenitore della polvere pieno	Pulire il contenitore della polvere
	Filtro ostruito	Pulire o sostituire il filtro HEPA
	Passaggio dell'aria bloccato o spazzola a rullo bloccata	Pulire la spazzola motorizzata e a rullo
Riduzione di autonomia	L'apparecchio non è completamente carico	Segui le istruzioni presenti sul manuale per ricaricare completamente la batteria
	Batteria vecchia	La nuova batteria può essere acquistata presso i distributori locali

Quando sono presenti difetti alle componenti elettriche, che richiedono l'intervento di un centro assistenza, apparirà sullo schermo a LED un avviso con un codice di errore da F1 a F8. Si prega di contattare il centro assistenza locale e fornire il codice di errore.



I guasti da F1 a F8 corrispondono a quanto segue:

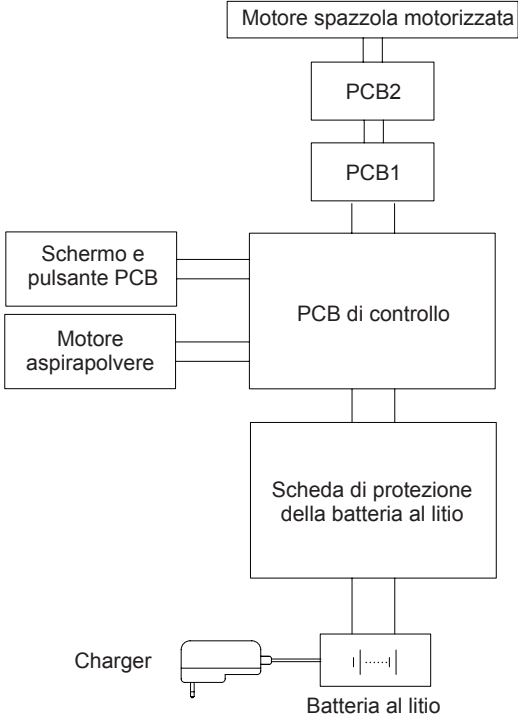
Codice	Guasto	Soluzioni
F1	La striscia di nichel della batteria è rotta	Riparazione o sostituzione della batteria
F2	Caricabatterie difettoso	Sostituzione caricabatterie
F3	Corto circuito al motore	Sostituzione del motore
F4	Celle della batteria difettose	Sostituzione o riparazione della batteria
F5	Protezione primaria da sovracorrente del motore	Sostituzione motore
F6	Protezione secondaria da sovracorrente del motore	Sostituzione motore
F7	PCB difettoso o cavo PCB allentato	Sostituzione PCB o cavo PCB
F8	Pacco batteria NTC anormale	Spegnere l'aspirapolvere e attendere che la batteria si raffreddi. Riaccenderla. Se il codice di errore appare ancora, sostituire la batteria

Attenzione: qualora si verificassero altri guasti che richiedano l'intervento di un professionista, al fine di prevenire pericoli, l'apparecchio dovrà essere riparato o sostituito presso il produttore o presso i centri assistenza autorizzati.

## Specifiche tecniche

Modello	JV83 Pro
Tensione nominale	25.2V===
Potenza nominale	500W
Tensione in ingresso del caricabatterie	100-240V~ 50/60Hz 0.8A
Tensione in uscita del caricabatterie	30V=== 600mA
Modello spazzola elettrica	T-EB110KC
Potenza nominale della spazzola elettrica	30W
Capacità della batteria	2500mAh
Tempo di ricarica	4h-5h

# Schema elettrico



## Informazioni sul produttore

Produttore	Kingclean Electric Co., Ltd
Indirizzo	No.1 Xiangyang road, Suzhou New District, Jiangsu province, 215009, China



## Disposizione

La macchina, gli accessori e l'imballaggio devono essere suddivisi per un riciclo rispettoso dell'ambiente.



Non smaltire l'aspirapolvere e le sue parti assieme ai rifiuti domestici!

Solo per Paesi EC: in accordo con la Direttiva Europea 2012/19/EU, i dispositivi elettronici non più utilizzabili, e secondo la Direttiva Europea 2006/66/CE, i pacchi/batterie difettosi o usati, devono essere raccolti separatamente e smaltiti nel rispetto dell'ambiente.

### Pacchi batteria/Batterie:

Le batterie integrate possono essere rimosse per lo smaltimento solo da personale qualificato.

L'apertura del guscio dell'alloggiamento può danneggiare o distruggere la macchina.

Non smaltire le batterie/pacchi batteria nei rifiuti domestici, nel fuoco o nell'acqua. Se possibile, i pacchi batteria/le batterie devono essere scaricati, raccolti, riciclati o smaltiti nel rispetto dell'ambiente.

Con riserva di modifiche senza preavviso.

### Informazioni sulla garanzia

Questo prodotto gode di due anni di garanzia dalla data di acquisto.

Sono escluse dalla garanzia la normale usura, l'uso commerciale, le alterazioni dell'apparecchio, le attività di pulizia non consone, l'utilizzo improprio o i danni causati da parte dell'acquirente o di terzi, danni imputabili a circostanze esterne.

## Notas de seguridad

Esta aspiradora está diseñada para uso doméstico. No lo utilice para fines comerciales o de otro tipo.

Por favor, lea atentamente este manual de instrucciones antes de utilizarlo y guárdelo adecuadamente para su futuro uso.

No coloque la aspiradora cerca de un fuego u otra instalación de alta temperatura.

No utilice ni almacene la máquina en condiciones extremadamente malas, por ejemplo, con temperaturas extremas. Se recomienda utilizarlo en interiores a una temperatura entre 5 °C y 40 °C. Guarde la máquina en un lugar seco y evite la luz solar directa.

Cargue completamente la batería antes de usarla por primera vez o después de un largo almacenamiento.

Antes de utilizar la aspiradora, asegúrese de que el rodillo del cepillo está montado, de lo contrario puede provocar que el ventilador del motor se atasque y el motor falle.

Por favor, no utilice la aspiradora para aspirar detergente, aceite, escorias de vidrio, agujas, cenizas de cigarrillos, polvo húmedo, agua, cerillas, etc.

No utilice la aspiradora para recoger partículas pequeñas como cemento, polvo de yeso, polvo de pared u objetos grandes como bolas de papel, ya que de lo contrario se producirán averías como bloqueos y fallos del motor.

Evite bloquear la entrada de aire o la escobilla, ya que esto puede hacer que el motor falle.

No ponga la mano o el pie en la entrada del cabezal del suelo para evitar lesiones.

No vierta ni salpique agua u otros líquidos en la máquina para evitar que se produzca un cortocircuito y se quemé la máquina.

Si el cepillo no funciona, compruebe que no esté enredado en pelos u otras fibras largas y límpielo a tiempo.

Si la máquina va a estar almacenada durante mucho tiempo, asegúrese de que la batería está completamente cargada antes de almacenarla y cargue la máquina al menos cada tres meses.

Desenchufe el cargador para limpiar o reparar la máquina. Sujeta el cargador cuando lo enchufes o desenchufes y no tires del cable de carga.

Utilice un paño seco para limpiar la máquina. Los líquidos como la gasolina, el alcohol o el disolvente de lacas pueden provocar grietas o decoloración y no deben utilizarse.

Si la máquina no funciona después de ser cargada completamente, debe ser revisada y reparada en nuestra oficina designada, por favor no desmonte la máquina por usted mismo.

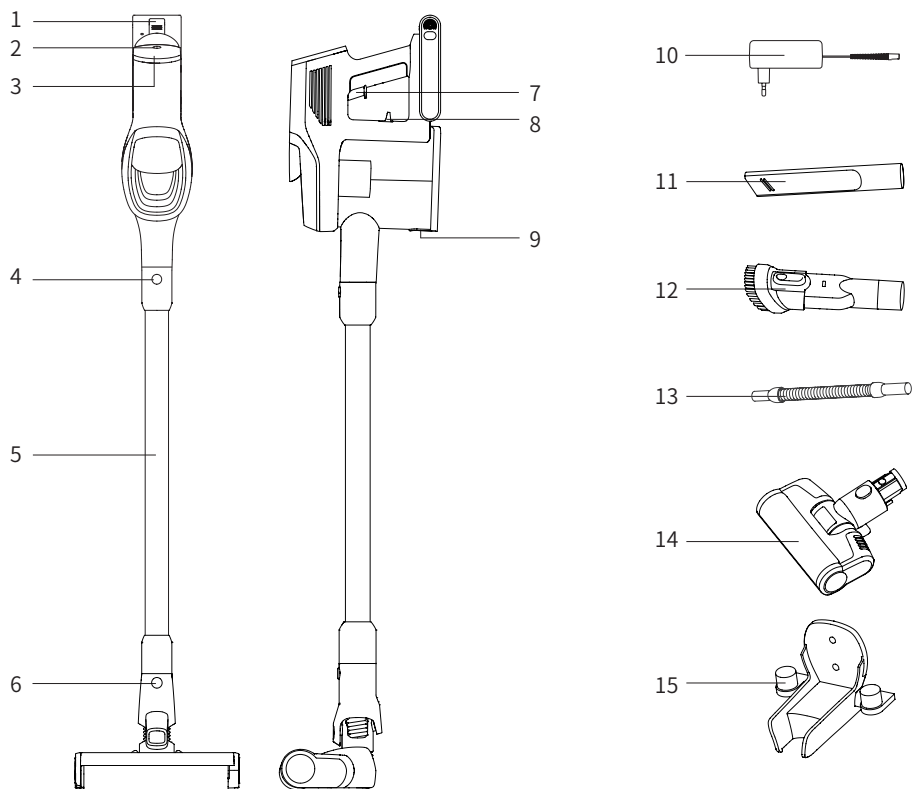
La máquina desechada contiene pilas. Deben reciclarse de forma segura. No los tire al azar.

Si el cable de alimentación está dañado, para evitar peligros, debe ser sustituido o reparado por el fabricante, repair o un profesional.

Este aparato puede ser utilizado por niños a partir de 8 años y por personas con capacidades físicas, sensoriales o mentales reducidas o con falta de experiencia y conocimientos si han recibido supervisión o instrucciones sobre el uso seguro del aparato y si comprenden los riesgos que conlleva.

La unidad sólo debe utilizarse con la fuente de alimentación suministrada.

## Nombre de las piezas



1. Botón de liberación de la batería

3. Pantalla LED

5. Tubo de metal

7. Botón de encendido/apagado

9. Pestillo de liberación del contenedor de polvo

11. Herramienta de cremallera

13. Manguera estirada

15. Soporte de carga

2. Botón Modo

4. Botón metálico de liberación del tubo

6. Botón de liberación del cabezal del suelo

8. Botón de Liberación de la taza de polvo

10. Cargador

12. Herramienta de tapiz

14. Cepillo eléctrico para eliminar los ácaros del polvo

## Lista de embalaje

Nombre	Aspiradora de mano	Cabezal de suelo eléctrico	Cepillo eléctrico para eliminar los ácaros del polvo	Herramienta de tapicería	Herramienta para hendiduras	Tubo de metal
Importe	1	1	1	1	1	1
Manguera estirada	Cargador	Soporte de carga	Soporte de accesorios	Tornillos	Manguera de expansión	Manual de instrucciones
1	1	1	2	3	2	1

## Montaje del producto

### Montaje del cabezal de suelo eléctrico con el tubo metálico

Sujeta el cabezal de tierra con la mano izquierda, utiliza la mano derecha para introducir el tubo metálico verticalmente en el cabezal de tierra, alinéalo con la aguja conductora, presiona el tubo hasta que oigas un "clic".

Atención: Mantenga el mango y la cabeza del suelo en la misma dirección, la aguja conductora debe estar alineada con el enchufe.

Cuando empaque, almacene o limpie, si el cabezal eléctrico para pisos necesita ser removido, presione el botón de liberación del cepillo como se muestra en la foto y jale el cabezal eléctrico para pisos en la dirección mostrada en la foto.(Fig 1)

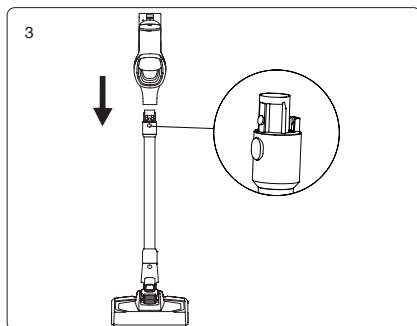
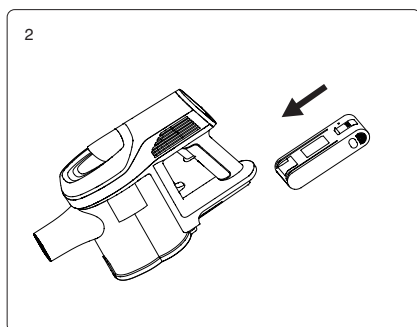
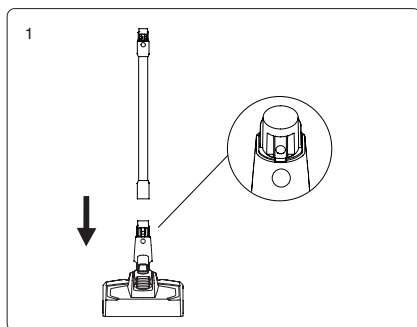
### Montaje del paquete de baterías y de la aspiradora de mano

Montaje del paquete de baterías: Sujete la aspiradora de mano con una mano, sujete el paquete de baterías con la otra, enrosque la ranura de la guía en el cuerpo, deslice el paquete de baterías en la dirección de la flecha que se muestra en la imagen. Tire del paquete de baterías después de la instalación para asegurarse de que no se desprende.

Atención: Cuando la aspiradora no se haya utilizado durante mucho tiempo, extraiga el paquete de baterías, empaque el producto y guárdelo en un lugar fresco y seco, evitando la luz solar directa o un ambiente húmedo.(Fig 2)

### Montaje del tubo metálico y de la aspiradora de mano

En primer lugar, monte el cabezal de suelo y el



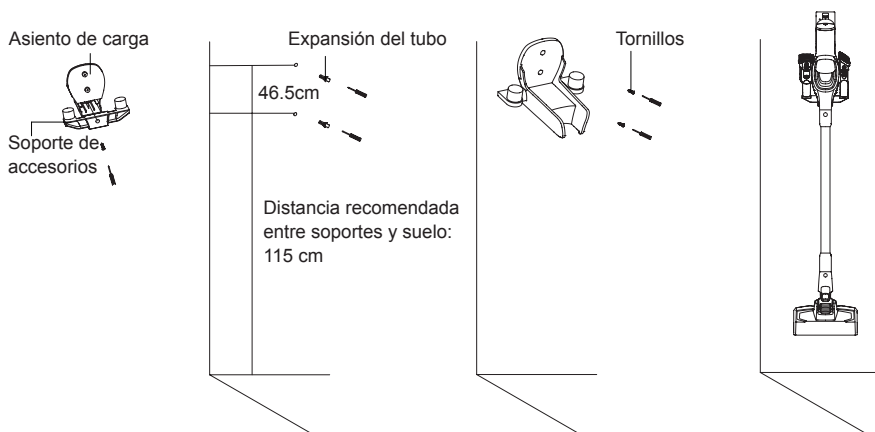
tubo metálico según el método de montaje del cabezal de suelo eléctrico y el tubo metálico.

Monte el cabezal de suelo con el tubo metálico y la aspiradora de mano: como se muestra en la imagen, alinee la aguja conductora del tubo metálico con el acoplamiento de la boquilla de aspiración, empuje hacia arriba hasta que oiga un "clic". (Fig 3)

## Montaje del estante de carga





Instale el soporte del accesorio en el agujero de carga y luego fije el soporte del accesorio con tornillos. Coloque la aspiradora en el soporte, y presione la aspiradora contra la pared, coloque el soporte en la posición en la que la cabeza de la aspiradora no toque el suelo. Retire la aspiradora de mano, coloque la manguera de expansión en la pared y coloque el soporte en la posición de la manguera de expansión, luego bloquee el tornillo. Una vez terminado el montaje, coloque la aspiradora en el soporte cargador para cargarla o guardarla.

Atención: no fije el soporte en el baño o en otra pared húmeda.

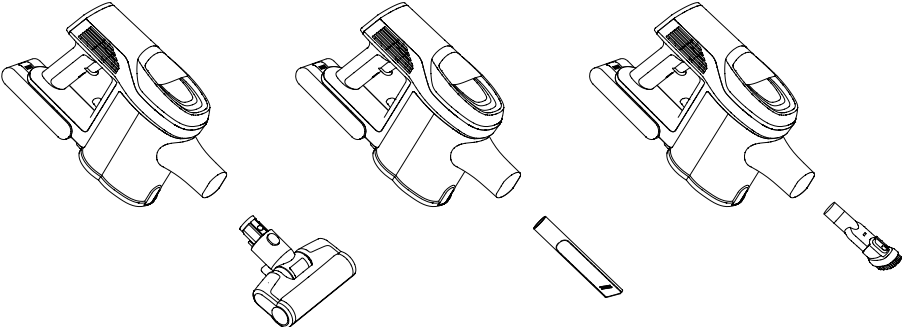


## Montaje de los accesorios

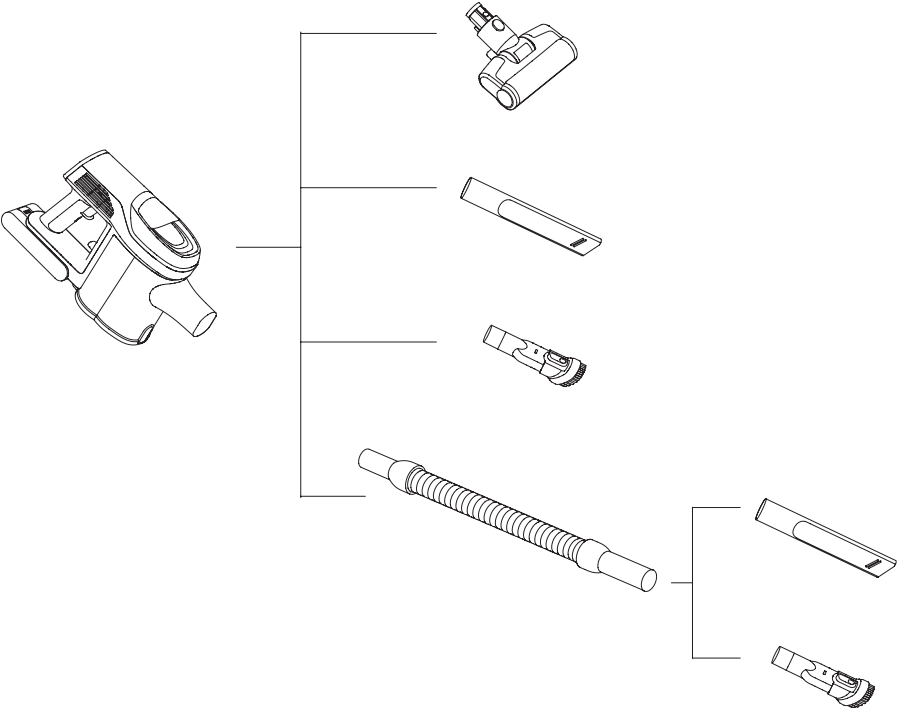
Para facilitar su uso, este producto está especialmente equipado con algunos accesorios para la parte manual de la aspiradora. Si utiliza la aspiradora de mano sola, puede conectar los accesorios directamente según sus necesidades o conectar los accesorios a través de la manguera extensible.

Nombre	Modelo	JV83 Pro
Cepillo eléctrico para eliminar los ácaros del polvo		
Herramienta de tapicería		
Herramienta para hendiduras		
Manguera estirada		

Como se muestra en la imagen, conecte la cabeza del colchón eléctrico, la herramienta de brecha y la herramienta de decoración a la aspiradora portátil.



Lista de conexiones de accesorios





# Uso de la aspiradora

## Carga

Atención: al utilizar el producto por primera vez, el paquete de baterías no está lleno. Es necesario cargar la aspiradora antes de utilizarla.

## Carga la aspiradora

Cuando la potencia de la aspiradora es insuficiente, cargue la aspiradora a tiempo; Cuando el voltaje es demasiado bajo, para proteger el paquete de baterías, la aspiradora se apagará automáticamente, por lo que la aspiradora debe ser recargada. Al recargar, enchufe el conector del cargador en la toma de corriente de CA, Inserte el otro extremo del cargador en la batería para iniciar la carga. Cuando la pantalla LED de la aspiradora de mano muestra un aumento de potencia, indica que la aspiradora se está cargando. Cuando la carga esté completa, la pantalla LED mostrará el 100% de energía. (Fig 4)

Si la batería no está montada en la máquina y se carga por separado, la luz indicadora en la batería es roja durante la carga y se vuelve verde después de la carga.

Atención:

1. cuando la energía del paquete de baterías es inferior al  $\leq 20\%$ , si el producto está funcionando en modo Max, pasará automáticamente al modo Turbo. Cuando la batería se agota, el producto se apaga automáticamente.

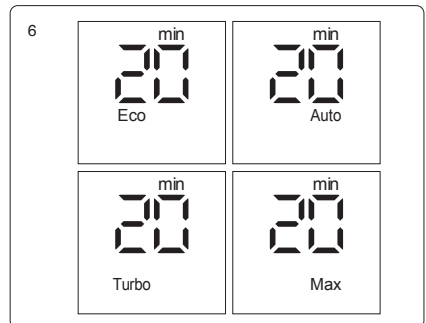
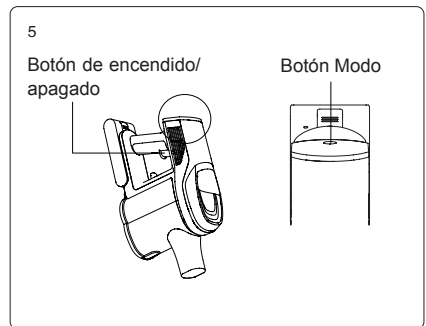
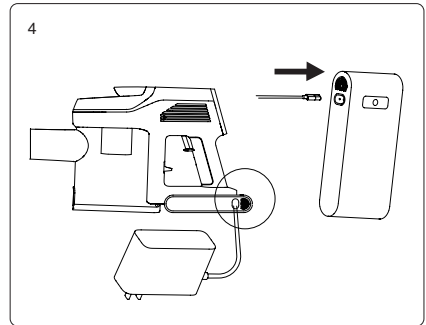
2. si la aspiradora se deja inactiva durante un largo periodo de tiempo, recargue el paquete de baterías cada tres meses para evitar que se estropee.

Después de la carga, retire el enchufe del cargador de la toma de corriente y deje de cargar.

Atención: si el cable de alimentación está dañado, para evitar peligros, debe ser sustituido por el personal profesional del fabricante, un agente de reparación o un servicio similar.

## Uso de la aspiradora de mano y del contenido de la pantalla LED

Take the vacuum cleaner off the storage  
Retire la aspiradora del soporte de almacenamiento, pulse el botón de encendido/apagado para poner en marcha o detener la aspiradora. El botón de modo se utiliza para



ajustar el modo de funcionamiento. Cuando el aparato se enciende, funciona en modo Turbo, pulse el botón de modo para cambiar al modo Turbo- Max - Eco. Durante el cambio de modo, el modo se muestra en la pantalla LED.(Fig 5)

El centro de la pantalla LED muestra el tiempo de funcionamiento restante del producto en el modo actual. Cuando se cambia el modo, el tiempo de funcionamiento restante también cambia en consecuencia.

Cuando el producto está funcionando en modo Max y la energía de la batería cae por debajo del 20%, para prolongar el tiempo de funcionamiento del producto, éste cambiará automáticamente del modo Max al modo Turbo. Una vez que el paquete de baterías está cargado más del 20%, el producto puede funcionar en modo Max.(Fig 6)

Cuando el producto funciona en modo Auto, ajusta la potencia de trabajo según el tipo de suelo que detecta, para conseguir una mayor eficacia de limpieza. En el modo Auto, la pantalla LED muestra Auto independientemente de la potencia de trabajo.

### Use of electric floor head

El cabezal eléctrico para suelos es adecuado para todo tipo de suelos, como suelos duros, baldosas y alfombras, etc.

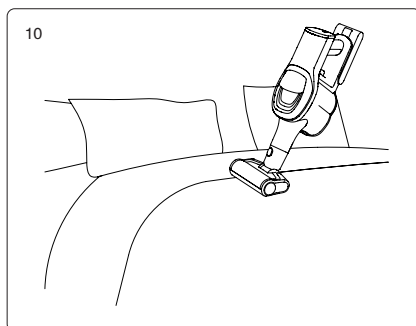
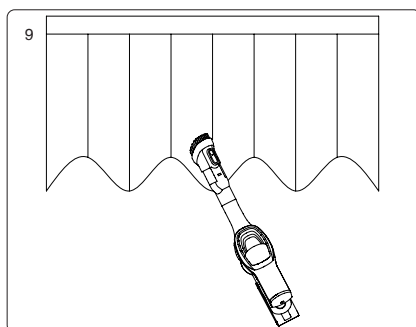
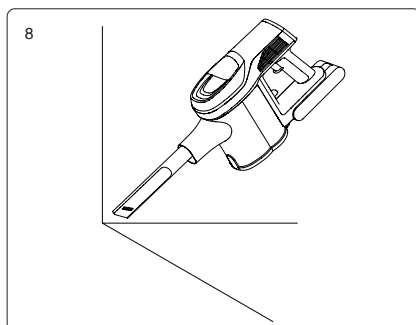
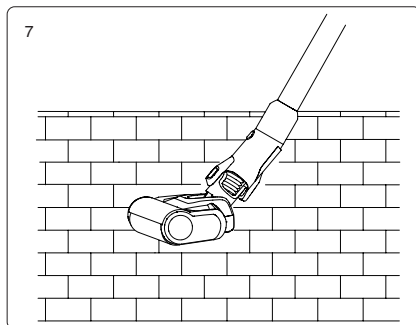
Atención: Durante el funcionamiento del cabezal eléctrico para suelos, si hay un gran volumen de materias extrañas inhaladas o demasiadas fibras enrolladas, o incluso un niño en el juego de la máquina ha metido por error la mano en la boquilla, lo que hace que el cepillo se detenga anormalmente, el cabezal eléctrico para suelos dejará de funcionar, con el fin de proteger la seguridad de las personas y del motor del cepillo.(Fig 7)

### Uso de los accesorios

Herramienta para hendiduras: adecuada para limpiar grietas, esquinas de puertas o ventanas y otros espacios estrechos.(Fig 8)

Herramienta para tapicería: adecuada para limpiar armarios, alféizares, sofás y mesas.(Fig 9)

Cepillo eléctrico para eliminar los ácaros del polvo: adecuado para los colchones de los sofás



y las camas. El rodillo del cepillo golpea y limpia los ácaros del polvo y los alérgenos de los sofás o las camas profundas.(Fig 10)

## Limpieza y sustitución de piezas

Atención:

1.El filtro HEPA se puede adquirir en los distribuidores locales de aspiradoras.

2.Se recomienda limpiar el depósito de polvo después de cada uso. Cuando el depósito de polvo está lleno o el filtro HEPA está obstruido, debe limpiarse y sustituirse si es necesario.

3.El rodillo del cepillo de la aspiradora eléctrica puede enredarse con el pelo después de un uso prolongado. Debe limpiarse a tiempo para que la aspiradora funcione con mayor eficacia.

### Limpieza del vaso de polvo y del sistema de filtrado

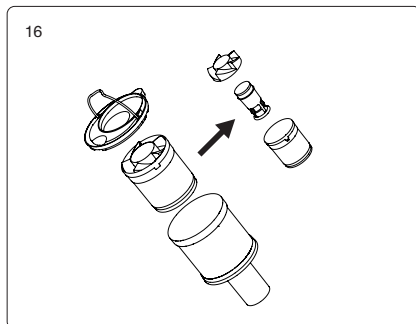
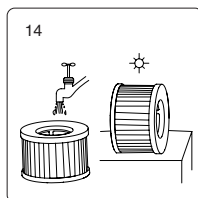
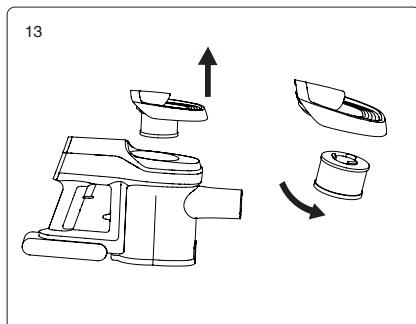
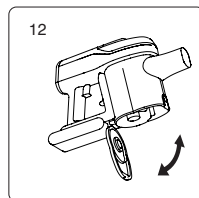
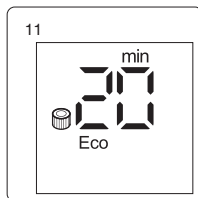
Cuando el depósito de polvo está lleno o el filtro HEPA está obstruido, la pantalla LED mostrará el icono HEPA para recordarle que debe limpiar el depósito de polvo y el filtro. Por favor, limpie la taza de polvo y el filtro HEPA a tiempo. Sustituya el filtro HEPA si es necesario.(Fig 11)

### Pasos para limpiar la taza de polvo y el sistema de filtrado:

1.Presione el botón de Liberación de la cubierta inferior de la taza de polvo, abra la cubierta inferior de la taza de polvo y vierta el polvo en la basura.(Fig 12)

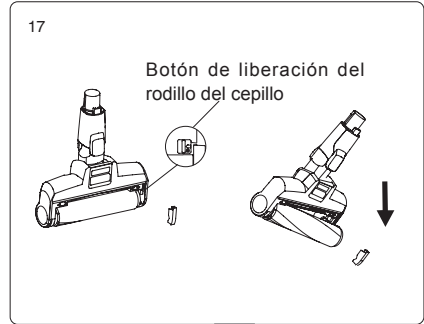
2. levante el conjunto de la tapa del filtro de aire de alta eficiencia de la taza de polvo. Gire el filtro de aire de alta eficiencia en el sentido de las agujas del reloj y sácalo de la tapa del filtro de aire de alta eficiencia para limpiarlo. Después de la limpieza, la HEPA necesita estar completamente seca antes de que pueda volver a usarse.(Fig 13)(Fig 14)

3.Presione el botón de Liberación de la taza de polvo ubicado detrás de la taza de polvo para quitar la taza de polvo. Sostenga el mango del conjunto del ciclón y sácalo de la taza de polvo. Retire la parte superior del ciclón, la taza secundaria de polvo, el anillo de ajuste y el ciclón Interior para limpiar a su vez. Después de la limpieza, todas las piezas deben estar completamente secas antes de que puedan volver a usarse. Después de limpiar, volver a ensamblar las piezas en el orden inverso al desmontaje.(Fig 15)(Fig 16)



## Limpeza del rodillo de la brocha

1. Mueva el botón de liberación del cepillo en la dirección de la flecha para retirar la cubierta lateral.
2. Retira un extremo del cepillo y sácalo de la boquilla para limpiarlo.
3. Después de limpiar o sustituir la escobilla, vuelva a montarla en el orden inverso al del desmontaje. (Fig 17)

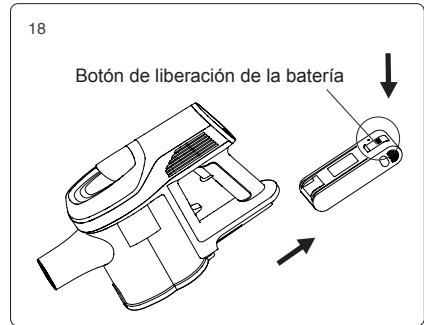


## Almacenamiento de la aspiradora

Cuando la aspiradora no se haya utilizado durante mucho tiempo, retire el paquete de baterías, empaque el producto y guárdelo en un lugar fresco y seco, no lo ponga en la luz directa del sol ni en un ambiente húmedo.

### Desmontaje de la batería

Presione el botón de liberación del paquete de baterías, retire el paquete de baterías en la dirección de la flecha y coloque el paquete de baterías en una bolsa de plástico y guárdelo en un lugar seco. (Fig 18)



## Resolución de problemas

Por favor, compruebe los siguientes puntos antes de enviar la unidad al agente de reparación designado.

Problemas	Posibles causas	Soluciones
El motor no funciona	El paquete de baterías no está alimentado	Cargue la aspiradora
	El tubo metálico, el cabezal del suelo, el paquete de baterías y la aspiradora no están montados correctamente	Compruebe que los accesorios están correctamente montados en la aspiradora
Gotas de succión	Taza de polvo completa	Limpie el recogedor
	Filtro bloqueado	Limpie o sustituya el filtro
	Flujo de aire del cabezal del suelo bloqueado	Limpie el paso de aire del cabezal del suelo
Corto tiempo de trabajo después de la carga	La máquina no está completamente cargada	Siga el manual de instrucciones para cargar completamente el paquete de baterías
	Envejecimiento de la batería	Las baterías nuevas pueden adquirirse en un distribuidor local

Cuando hay un fallo en los componentes eléctricos, que requiere un servicio profesional para su instrucción o reparación, la pantalla LED muestra una advertencia de fallo con un código de error de F1 a F8. Póngase en contacto con el departamento de servicio del agente local y facilite el código de error.

Los defectos de F1 a F8 son los siguientes:

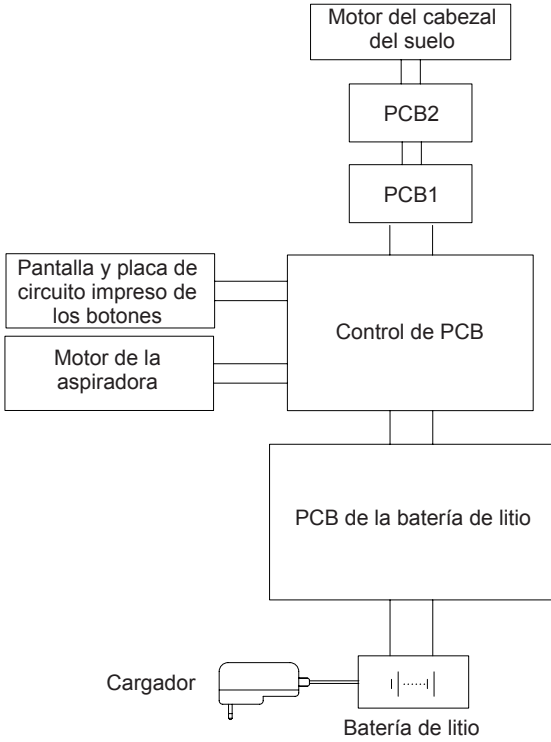
Código	Defectos	Soluciones
F1	La tira de níquel de la batería está rota	Sustituya o repare la batería
F2	Fallo del cargador	Sustituya el cargador
F3	Cortocircuito del motor de vacío	Sustituya el motor de aspiración
F4	Defectos en los componentes de la batería	Sustituya o repare la batería
F5	Protección de sobrecorriente de primer nivel para el motor de la aspiradora	Sustituya el motor de aspiración
F6	Protección de sobrecorriente de nivel secundario para el motor de la aspiradora	Sustituya el motor de aspiración
F7	Fallo en la placa de circuito impreso o cable suelto en la placa de circuito impreso	Sustituya el PCB o el cable del PCB
F8	Batería anómala NTC	Apague la aspiradora y espere a que el paquete de baterías se enfríe. Vuelva a encender el aparato. Si el código de error sigue apareciendo, sustituya la batería

Atención: Si hay otros defectos que requieren herramientas especiales, para evitar cualquier peligro, la reparación debe ser realizada por los profesionales del fabricante, un agente de reparación o un agente similar.

## Technical Parameter

Modelo	JV83 Pro
Tensión nominal	25.2V===
Potencia nominal	500W
Tensión de entrada del cargador	100-240V~ 50/60Hz 0.8A
Tensión de salida del cargador	30V=== 600mA
Modelo de cabezal de suelo eléctrico	T-EB110KC
Potencia nominal del cabezal de suelo eléctrico	30W
Capacidad de la batería	2500mAh
Tiempo de carga	4h-5h

# Esquema de conexiones



## Información del fabricante

Fabricante	Kingclean Electric Co, Ltd
Dirección	No.1 Xiangyang road, Suzhou New District, provincia de Jiangsu, 215009, China



## Eliminación

La máquina, los accesorios y el embalaje deben clasificarse para su reciclaje ecológico.



No tire la máquina a la basura doméstica!

Sólo para los países de la CE: De acuerdo con la directiva de la UE 2012/19/UE, las máquinas que ya no son utilizables y de acuerdo con la directiva de la UE 2006/66/CE, el paquete de baterías defectuoso o usado debe ser recogido por separado y eliminado de manera ecológica.

### Paquete de baterías:

Las baterías incorporadas sólo pueden ser retiradas para su eliminación por personal cualificado.

Abrir la carcasa puede dañar o destruir la máquina.

No tire las pilas/baterías a la basura doméstica, al fuego o al agua. Si es posible, el paquete de baterías o las baterías deben descargarse, recogerse, reciclarse o eliminarse de forma respetuosa con el medio ambiente.

Sujeto a cambios sin previo aviso. s

### Información sobre la garantía

This product enjoys two year warranty from the date of purchase.

Este producto está cubierto por una garantía de dos años a partir de la fecha de compra.

No cubre el desgaste normal, el uso comercial, las modificaciones realizadas en el equipo después de la compra, las actividades de limpieza, el mal uso, los daños causados por el comprador o por terceros, los daños debidos al entorno exterior.

## Требования по технике безопасности

Данный пылесос предназначен для применения в домашних условиях. Пожалуйста, не используйте его в коммерческих или других целях

Прежде, чем использовать данный пылесос, внимательно ознакомьтесь с руководством пользователя. Сохраните его для дальнейшего ознакомления.

Не размещайте пылесос близко к огню или другим нагревательным приборам.

Не используйте и не храните пылесос при экстремальных неблагоприятных условиях, например, при экстремальной температуре. Рекомендуется использовать пылесос в помещении при температуре от 5 °C до 40 °C. Храните устройство в сухом месте и не допускайте попадания прямых солнечных лучей.

Полностью заряжайте аккумуляторную батарею перед первым использованием или после длительного хранения.

Перед использованием пылесоса убедитесь в том, что роликовая щетка собрана, в противном случае это может привести к засорению вентилятора двигателя, что приведет к перегоранию двигателя.

Не используйте пылесос для всасывания моющих средств, масла, осколков стекла, иголок, пепла от сигарет, влажной пыли, воды, спичек и других предметов.

Не используйте пылесос для всасывания мелких частиц, таких как цемент, гипсовый порошок, строительный порошок или крупных предметов, например, шариков из бумаги, в противном случае это приведет к таким неисправностям, как засорение и перегорание двигателя.

Не допускайте засорения всасывающего отверстия или роликовой щетки, так как это может привести к отказу двигателя.

Для предотвращения травмирования не допускайте попадания руки или ноги во всасывающее отверстие.

Не наливайте и не впрыскивайте воду или другие жидкости внутрь пылесоса, чтобы не допустить короткого замыкания и прекращения работы пылесоса.

Если роликовая щетка не работает, убедитесь в том, что на нее не намотались волосы или другие длинные волокна, своевременно очищайте щетку.

Если пылесос не будет использоваться в течение длительного времени, перед тем как поместить его на хранение необходимо убедиться в полной зарядке аккумуляторной батареи. Пылесос необходимо заряжать не реже одного раза в три месяца.

Отключите зарядное устройство от сети на время очистки или ремонта устройства. Держите вилку зарядного устройства при подключении или отключении от сети и не тяните за зарядный шнур.

Для очистки пылесоса используйте сухую ткань. Не используйте такие жидкости, как бензин, спирт, растворитель лака, так как это может привести к появлению трещин или обесцвечиванию.

Если после полной зарядки пылесос не работает, обращайтесь в авторизованный центр нашей компании, не разбирайте устройство самостоятельно.

В отработанном пылесосе содержится батарея. Ее следует утилизировать безопасным способом. Утилизация произвольным способом не допускается.

При наличии повреждений шнура питания, для предотвращения несчастного случая, необходимо обратиться к производителю, сервисный центр или к специалисту для замены или ремонта.

Данный пылесос может использоваться детьми в возрасте от 8 лет и старше, а также лицами с ограниченными физическими, сенсорными или умственными способностями, или не обладающими достаточным опытом и знаниями в том случае, если они прошли инструктаж или получили указания по использованию пылесоса безопасным образом и осознают опасность, связанные с использованием данного устройства.

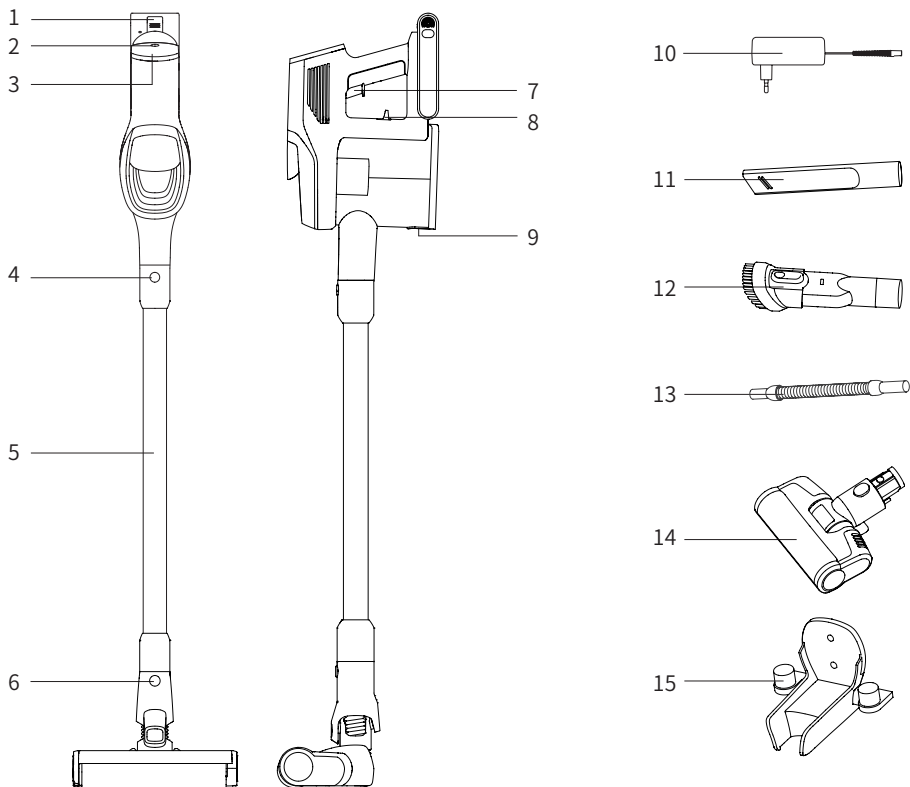
Данный пылесос можно использовать только с зарядным устройством, входящим в комплект поставки.

Транспортируйте устройство только в его оригинальной упаковке.

Не транспортируйте устройство при температуре выше 50°C или ниже 0°C .



## Наименование деталей



1. Кнопка разблокировки  
аккумуляторной батареи

3. Светодиодный дисплей

5. Металлическая трубка

7. Кнопка включения/выключения

9. Защелка фиксатора пылесборника

11. Насадка для узких мест

13. Эластичный шланг

15. Подставка для зарядки

2. Кнопка регулировки скорости

4. Кнопка разблокировки  
металлической трубки

6. Кнопка разблокировки  
напольной щетки

8. Кнопка разблокировки  
днища пылесборника

10. Эластичный шланг

12. Насадка для мебели

14. Электрическая щетка для матрасов

## Комплектация

Название	Ручной пылесос	Электрическая насадка для пола	Электрическая щетка для матрасов	Насадка для мебели
Количество	1	1	1	1
Расширительная труба	Зарядное устройство	Подставка для зарядки	Держатель для насадок	Винт
2	1	1	2	3
Насадка для узких мест	Металлическая трубка	Эластичный шланг	Руководство по эксплуатации	
1	1	1	1	

## Монтаж устройства

### Сборка электрической насадки для пола и металлической трубки

Удерживая насадку для пола левой рукой, правой рукой вставьте металлическую трубку вертикально в насадку для пола, нажимайте на трубку до тех пор, пока не услышите «щелчок».

Примечание: при сборке держите рукоятку и наполную щетку в одном направлении, и вставьте штифт в гнездо.

При упаковке, хранении или чистке, если необходимо снять электрическую насадку для пола, нажмите кнопку разблокировки, как показано на рисунке, и потяните электрическую насадку для пола в направлении, показанном на рисунке.

(Рис. 1)

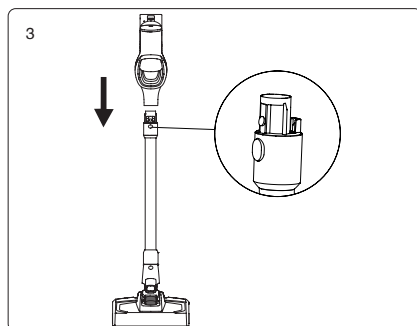
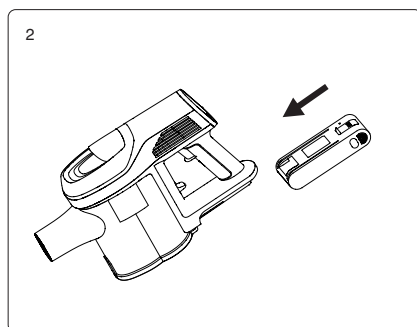
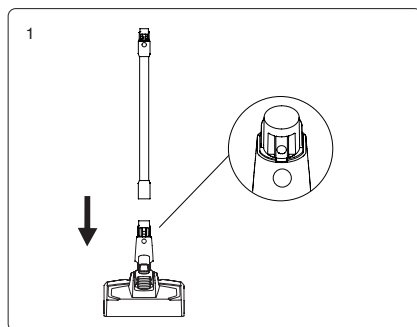
### аккумуляторной батареи и ручного пылесоса

Установка аккумуляторной батареи: вставьте аккумулятор в корпус пылесоса в соответствии с направлением стрелки, показанным на рисунке. Потяните аккумулятор после установки, чтобы убедиться, что он плотно установлен.

Примечание: Если пылесос не используется в течение длительного времени, извлеките аккумуляторную батарею, упакуйте пылесос и поместите на хранение в прохладное и сухое место, избегая попадания прямых солнечных лучей или влажной среды. (Рис. 2)

### Сборка металлической трубки и ручного пылесоса

Сначала соберите насадку для пола и



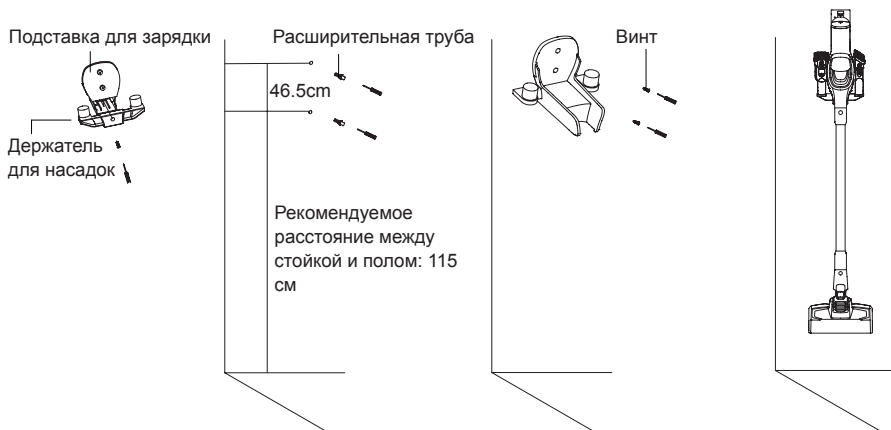
металлическую трубку в соответствии с методом сборки электрической насадки для пола и металлической трубки.

Затем, как показано стрелкой, совместите штифт металлической трубки с всасывающим соплом ручного пылесоса, проталкивайте металлическую трубку вверх до тех пор, пока не услышите «щелчок».(Рис. 3)

## Сборка подставки для зарядки

Сначала установите кронштейн крепления на основную часть подвески и закрепите его винтовым замком. Поместите пылесос на подставку и прислоните его к стене, установите подставку так, чтобы насадка для пола пылесоса не касалась напольной поверхности. Снимите ручной пылесос, поместите расширительную трубку на стену и установите подставку в положение расширительной трубки, затем зафиксируйте винт. После завершения сборки поместите пылесос в подставку зарядного устройства для зарядки или хранения.

Внимание: Не устанавливайте подставку в ванной или другом влажном помещении.

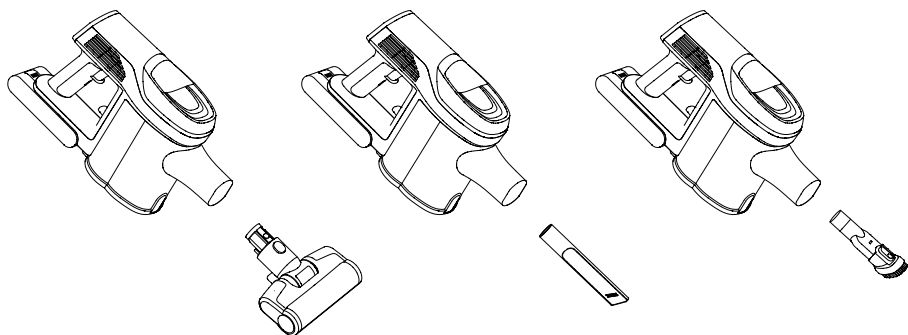


## Сборка насадок

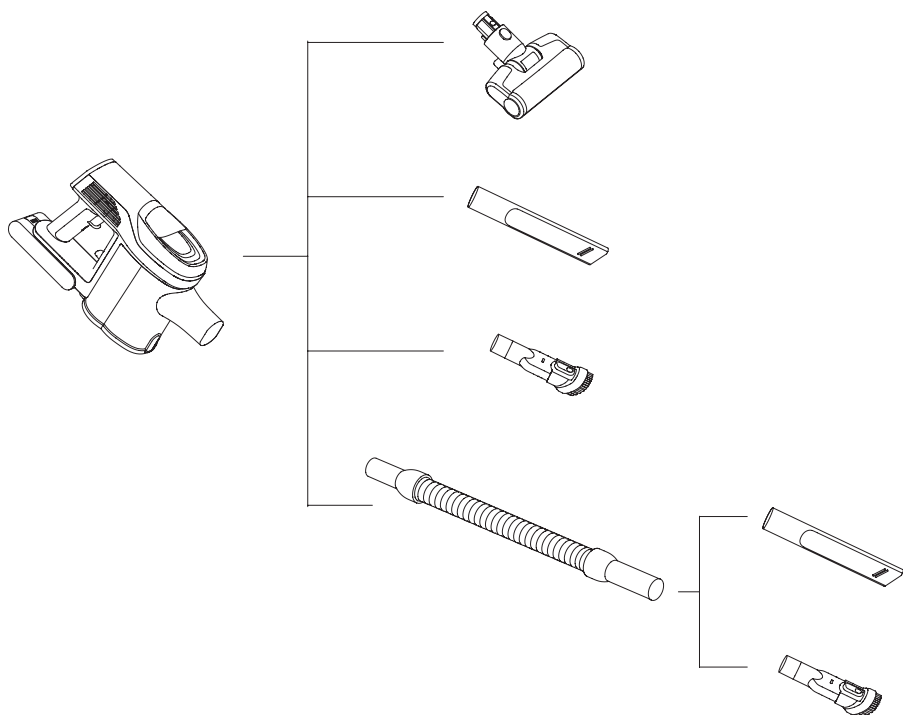
Для удобства использования данное устройство специально снабжено рядом насадок для ручного пылесоса. Если вы используете ручной пылесос отдельно, можно напрямую подсоединить насадки с учетом потребностей или подсоединить насадки через эластичный шланг.

Название	Модель	JV83 Pro
Электрическая щетка для матрасов		
Насадка для мебели		
Насадка для узких мест		
Эластичный шланг		

Подключите электрическую щетку для матрасов, насадку для узких мест, насадку для мебели и мягкую щетку к ручному пылесосу, как показано на рисунке.



### Перечень подключения насадок



# Использование пылесоса

## Зарядка

Примечание: При первом использовании устройства аккумуляторная батарея заряжена не полностью. Следует полностью зарядить аккумулятор пылесоса перед использованием.

## Зарядка пылесоса

Если питание пылесоса слабое, своевременно зарядите пылесос; Когда напряжение слишком низкое, чтобы защитить аккумулятор, пылесос будет автоматически отключается, в это время пылесос необходимо зарядить. При зарядке вставьте разъем зарядного устройства в розетку переменного тока, подключите другой конец зарядного устройства к аккумулятору, чтобы зарядить его. Когда светодиодный дисплей ручного пылесоса показывает увеличение питания, это означает, что пылесос заряжается. Когда зарядка завершена, светодиодный дисплей показывает уровень питания 100%. (Рис. 4)

Если батарейный блок не установлен на устройство для зарядки, во время зарядки индикатор на батарейном блоке горит красным цветом и становится зеленым после его полной зарядки.

Примечание: Если заряд аккумулятора составляет меньше  $\leq 20\%$ , если устройство работает в режиме «Max», оно автоматически переключится в режим «Turbo». Когда аккумулятор разрядится, устройство автоматически выключится.

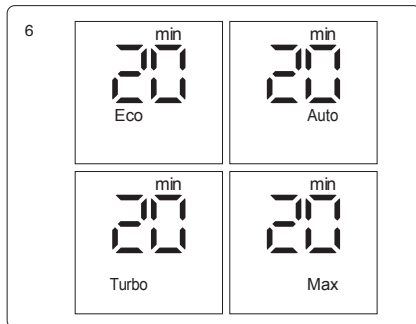
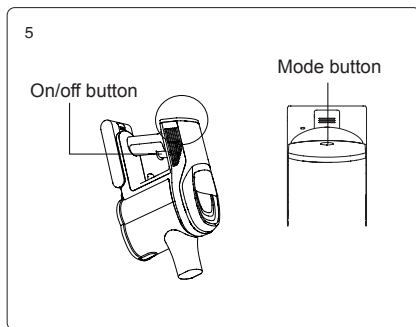
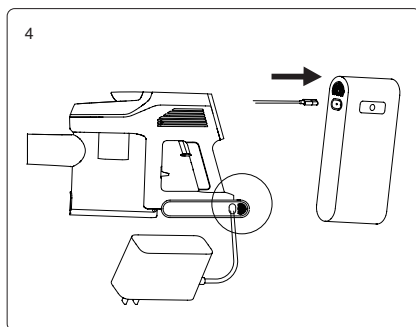
Примечание: Если пылесос не используется в течение длительного времени необходимо заряжать батарею, по крайней мере, через каждые три месяца, чтобы не допустить ее выхода из строя.

После зарядки, пожалуйста, выньте вилку зарядного устройства из розетки и прекратите зарядку.

Примечание: если шнур питания поврежден, во избежание опасности потребуются обратиться для проведения ремонта или замены к производителю, в другие сервисные центры или к специалистам из аналогичных служб

## Использование содержимого ручного пылесоса и светодиодного экрана

Снимите пылесос с подставки, нажмите кнопку включения/выключения, чтобы запустить или остановить пылесос. Кнопка режима позволяет настроить рабочий режим. Когда устройство включено, оно работает в режиме «Turbo», нажмите кнопку режима для переключения в последовательности «Turbo - Max - Eco». При переключении режима соответствующий режим отображается на дисплее. (Рис. 5)



В средней части дисплея отображается оставшееся время работы устройства в текущем режиме. При переключении режима оставшееся время работы изменяется соответствующим образом.

Когда устройство работает в режиме «Мах», и заряд батареи падает ниже 20%, для увеличения времени работы устройства, оно автоматически переключится из режима «Мах» в режим «Turbo». После зарядки аккумулятора до уровня более 20% устройство может работать в режиме «Мах». (Рис. 6)

Когда устройство работает в режиме «Auto», оно регулирует рабочую мощность, в зависимости от типа напольного покрытия, определенного устройством, чтобы обеспечить более высокую эффективность уборки. В режиме «Auto» светодиодный дисплей отображает «Auto» независимо от того, насколько высока рабочая мощность.

### Использование электрической насадки для пола

Электрическая насадка для пола подходит для очистки всех видов напольных поверхностей, таких как твердый пол, плитка, ковер и т.д.

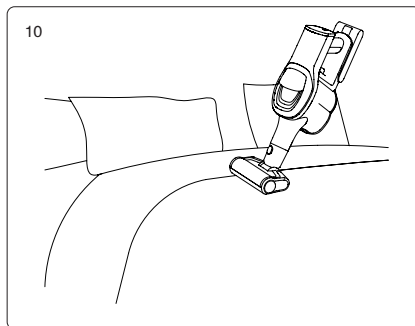
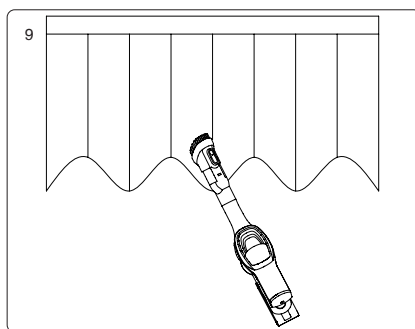
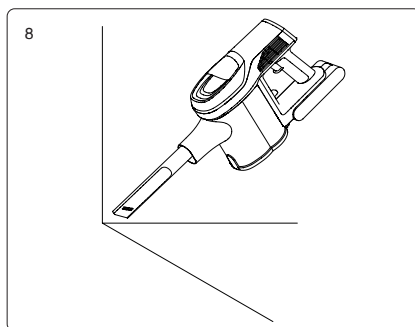
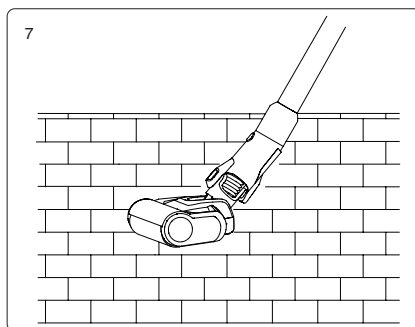
Примечание: Если во время работы электрической насадки для пола происходит всасывание большого количества посторонних частиц или наматывается слишком много волокон, или если ребенок, играя с пылесосом случайно засунет руку в сопло, что приведет к нештатной остановке роликовой щетки, электрическая насадка для пола прекратит работу, чтобы обеспечить личную безопасность и защиту двигателя щетки. (Рис. 7)

### Использование насадок

Насадка для узких мест: подходит для очистки щелей, углов дверей или окон и других узких мест. (Рис. 8)

Насадка для мебели: подходит для очистки шкафов, подоконников, обивки мебели и поверхности столов. (Рис. 9)

Электрическая щетка для матрасов: Подходит для матраса дивана и кровати. Роликовая щетка выбивает, а затем вычищает пылевого клеща и аллергены из глубины дивана или кровати. (Рис. 10)



## Очистка и замена деталей

Внимание:

1. HEPA-фильтр (высокоэффективный сухой воздушный фильтр) можно приобрести у местных дистрибьюторов пылесосов.

2. Рекомендуется очищать пылесборник после каждого использования; Когда пылесборник переполнен или HEPA-фильтр засорен, его необходимо очистить и, при необходимости, заменить.

3. После длительного использования электрической насадки для пола в ее валике могут запутаться волосы. Его необходимо своевременно очищать, чтобы пылесос работал более эффективно.

### Очистка пылесборника и системы фильтрации

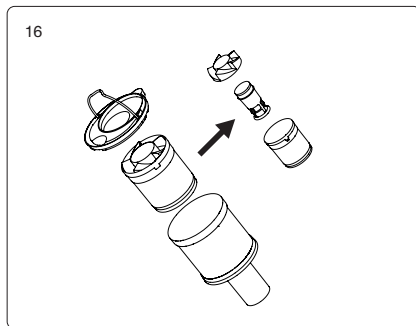
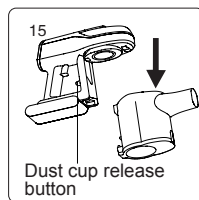
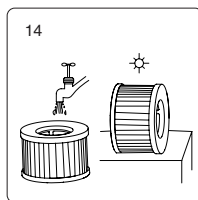
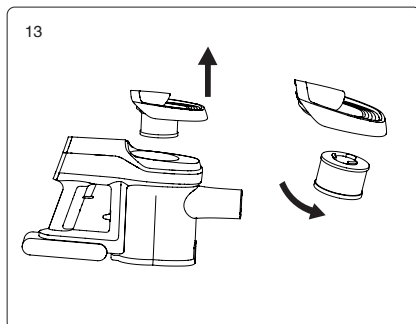
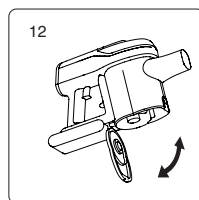
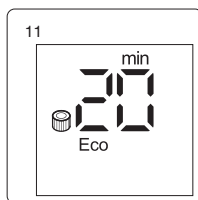
Когда пылесборник переполнен или HEPA засорен, на светодиодном дисплее появится значок HEPA в виде картинки, напоминающий о необходимости очистки пылесборника и фильтра. Пожалуйста, своевременно очищайте пылесборник и HEPA-фильтр. При необходимости замените HEPA-фильтр. (Рис. 11)

### Шаги очистки пылезакричных стаканов и фильтрационных систем:

1. Нажмите кнопку выпуска нижней крышки пылезакричного стакана, откройте нижнюю крышку пылезакричного стакана и вылейте пыль в мусорное ведро. (Рис. 12)

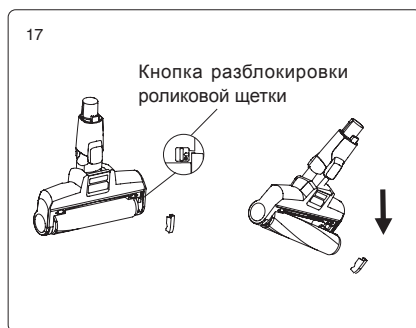
2. Поднимите высокоэффективные компоненты крышки воздушного фильтра с пылезакричного стакана. Поверните высокоэффективный воздушный фильтр по часовой стрелке, снимите его с крышки высокоэффективного воздушного фильтра для очистки. После очистки HEPA необходимо полностью высушить, прежде чем его можно будет использовать снова. (Рис. 13)(Рис. 14)

3. Нажмите кнопку выпуска пылезакричного стакана, расположенного за пылезакричным стаканом, и снимите пылезакричный стакан. Возьмите вихревой сепаратор в сборе и вытащите его из пылезакричного стакана. Последовательно снимите верхнюю часть циклона, вторичный пылезакричный стакан, регулирующее кольцо, внутренний циклон для очистки. После очистки все детали должны быть полностью высушены до повторного использования. После очистки деталь повторно собирают в порядке, противоположном демонтажу. (Рис. 15)(Рис. 16)



## Очистка роликовой щетки

1. Переместите кнопку отсоединения роликовой щетки вдоль направления стрелки, снимите боковую крышку
2. Снимите один конец валика щетки и выньте его из насадки для очистки.
3. После очистки или замены роликовой щетки соберите ее в последовательности, обратной разборке. (Рис. 17)

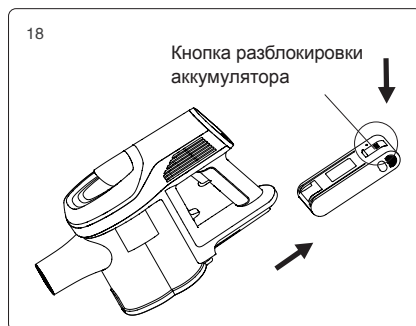


## Хранение пылесоса

Если пылесос не используется в течение длительного времени, извлеките аккумуляторную батарею, упакуйте пылесос и поместите на хранение в прохладное и сухое место, не располагайте под прямыми солнечными лучами или во влажной среде.

## Извлечение аккумуляторной батареи

Нажмите кнопку разблокировки аккумулятора, извлеките аккумулятор в направлении стрелки и поместите его в пластиковый пакет, затем храните в сухом месте. (Рис. 18)



## Поиск и устранение неисправностей

Пожалуйста, ознакомьтесь с приведенными ниже описаниями неисправностей и их способами устранения перед обращением в сервисный центр.

Неисправность	Возможные причины	Способы устранения
Двигатель не работает	Аккумуляторная батарея разряжена	Зарядите пылесос
	Металлическая трубка, напольная щетка, аккумуляторная батарея и пылесос собраны неправильно	Проверьте правильность подключения насадок к пылесосу
Проверьте правильность подключения насадок к пылесосу	Пылесборник заполнен до отказа	Очистите пылесборник
	Засорен фильтр	Очистите или замените фильтр
	Засорен воздушный канал напольной щетки	Очистите воздушный канал насадки для пола
Короткое время работы после зарядки	Аккумулятор устройства не полностью заряжен	Следуйте руководству по эксплуатации для полной зарядки аккумулятора
	Ухудшения качества аккумулятора	Новые аккумуляторы можно приобрести у местного дистрибьютора



При неисправности электрических компонентов, для устранения которой требуется профессиональное обслуживание или ремонт, на светодиодном экране отображается предупреждение о неисправности с кодом ошибки от F1 до F8. Обратитесь в службу послепродажного обслуживания местного дистрибьютора и сообщите код ошибки.

При неисправности электрических компонентов, для устранения которой требуется профессиональное обслуживание или ремонт, на светодиодном экране отображается предупреждение о неисправности с кодом ошибки от F1 до F8. Обратитесь в службу послепродажного обслуживания местного дистрибьютора и сообщите код ошибки.

Defect of F1 to F8 is as following:

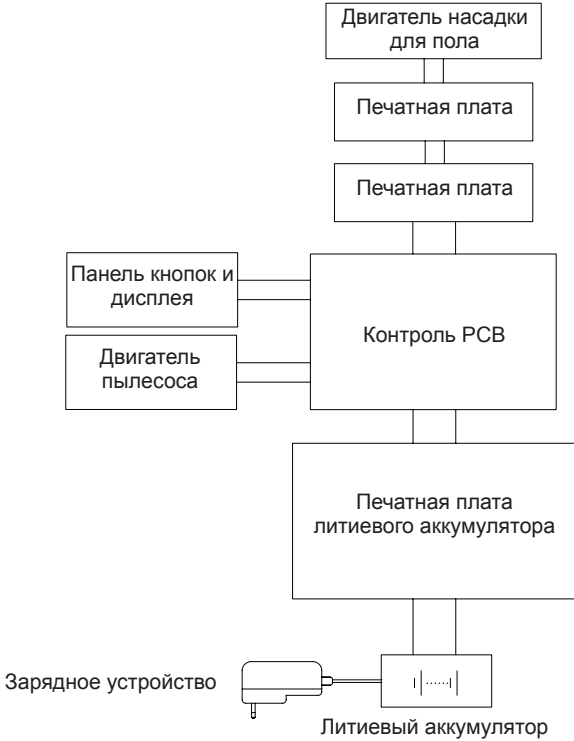
Код	Неисправность	Способы устранения
F1	Повреждена никелевая полоска аккумулятора	Замените или отремонтируйте аккумулятор
F2	Неисправность зарядного устройства	Замените зарядное устройство
F3	Короткое замыкание двигателя пылесоса	Замените двигатель пылесоса
F4	Неисправность элемента аккумулятора	Замените или отремонтируйте аккумулятор
F5	Первичная защита двигателя пылесоса от перегрузки по току	Замените двигатель пылесоса
F6	Вторичная защита двигателя пылесоса от перегрузки по току	Замените двигатель пылесоса
F7	Неисправность ПП (печатной платы) или ослабление проводки ПП	Замените ПП (печатную плату) или проводку ПП
F8	Неисправность термистора NTC (Отрицательного температурного коэффициента) аккумуляторной батареи	Выключите пылесос и подождите, пока аккумулятор остынет. Включите его снова. Если код ошибки все еще появляется, замените аккумулятор

Примечание: В случае возникновения каких-либо иных неисправностей, для устранения которых требуется профессиональный инструмент, в целях предупреждения опасности, потребуется обратиться для проведения ремонта или замены к производителю, в другие сервисные центры или к специалистам из аналогичных служб

## Технические характеристики

Модель №	JV83 Pro
Номинальное напряжение	25.2В
Номинальная мощность	500Вт
Входное напряжение зарядного устройства	100-240 В ~ 50/60 Гц
Выходное напряжение зарядного устройства	30 В/600 мА
Модель электрической насадки для пола	T-EB110KC
Номинальная мощность электрической насадки для пола	30 Вт
Емкость аккумуляторной батареи	2500 мА/ч
Время зарядки	4 ч-5 ч

# Монтажная схема



## Информация о производителе

Производитель	Кингклин Электрик Ко., Лтд
Адрес	№1, Сянян Роуд, Нью Дистрикт, Сучжоу, Цзянсу Провинс, Китай



## Утилизация

Во избежание нанесения вреда окружающей среде или здоровью человека от неконтролируемого выброса отходов, устройство необходимо утилизировать отдельно от других отходов и надлежащим образом переработать для повторного использования.



Отработанные приборы не должны выбрасываться совместно с бытовыми отходами!

Только для стран-членов ЕС: В соответствии с Европейской директивой 2012/19/EU отслужившие приборы и в соответствии с Европейской директивой 2006/66/EC поврежденные либо отработанные аккумуляторные батареи / батарейки необходимо собирать отдельно и утилизировать без ущерба для окружающей среды.

## Аккумуляторные батареи/батарейки:

Интегрированные аккумуляторные батареи разрешается извлекать для утилизации только квалифицированным персоналом.

Вскрытие корпуса чревато повреждением или разрушением прибора. Не выбрасывайте аккумуляторные батареи/батарейки в бытовой мусор, огонь или воду. Аккумуляторные батареи/батарейки следует собирать по возможности в разряженном состоянии для вторичной переработки или утилизации экологически безопасным образом.

Возможно внесение изменений без уведомления.

## Информация о гарантии

Гарантийный срок на изделие составляет 1 (один) год с даты покупки.

Срок службы изделия составляет 5 (пять) лет с даты покупки.

Гарантия не предоставляется в случае естественного износа, использования в коммерческих целях, изменений первоначального состояния прибора, работ по очистке, при последствиях ненадлежащего обращения или повреждении покупателем, или третьими лицами, повреждении, вызванными внешними обстоятельствами.

## Как узнать дату производства из серийного номера

Этикетка с серийным номером размещается на упаковке устройства, а также на корпусе самого устройства. Дата производства закодирована в его серийном номере. Чтобы расшифровать дату производства, ознакомьтесь с примером серийного номера, который показан ниже:



Дата производства состоит из первых 3 символов: первый символ – год, второй символ – месяц, третий символ – день.

DVR800547

D – год

V – месяц

P – день

8 – производственная линия

00547 – собственно серийный номер устройства

В нашем примере дата производства 23 ноября 2019 года.

Воспользуйтесь информацией, приведенной в таблице ниже для расшифровки даты производства данного устройства.

Год		Месяц		Дата			
Год	Символ	Месяц	Символ	Дата	Символ	Дата	Символ
2016	A	Январь	1	1	1	17	H
2017	B	Февраль	2	2	2	18	J
2018	C	Март	3	3	3	19	K
2019	D	Апрель	4	4	4	20	L
2020	E	Май	5	5	5	21	M
2021	F	Июнь	6	6	6	22	N
2022	G	Июль	7	7	7	23	P
2023	H	Август	8	8	8	24	Q
2024	J	Сентябрь	9	9	9	25	R
2025	K	Октябрь	A	10	A	26	S
2026	L	Ноябрь	B	11	B	27	T
2027	M	Декабрь	C	12	C	28	U
2028	N			13	D	29	V
2029	P			14	E	30	W
2030	Q			15	F	31	X
2031	R			16	G		

Сделано в Китае  
Товар сертифицирован









2N-01

# JIMMY

CE EAC



jimmy technology 

Contact us -we'll get back within 1 business day.



Web:[www.jimmyglobal.com](http://www.jimmyglobal.com)  
Email:[support@jimmyglobal.com](mailto:support@jimmyglobal.com)